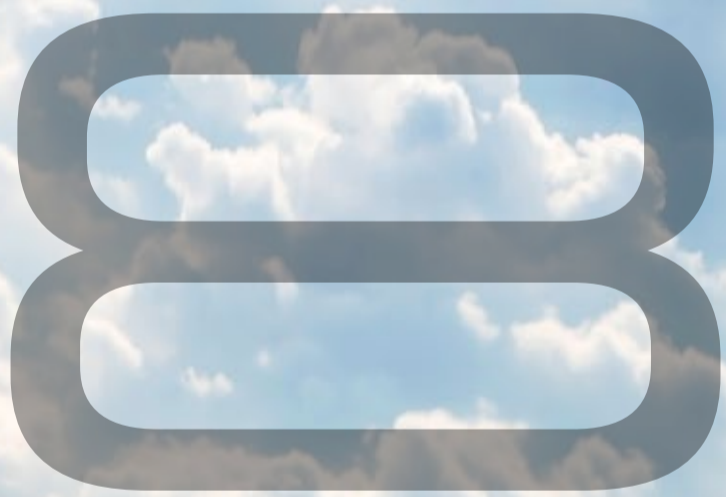


For the most beautiful shade in the world.

n8

THE NEW EIGHT



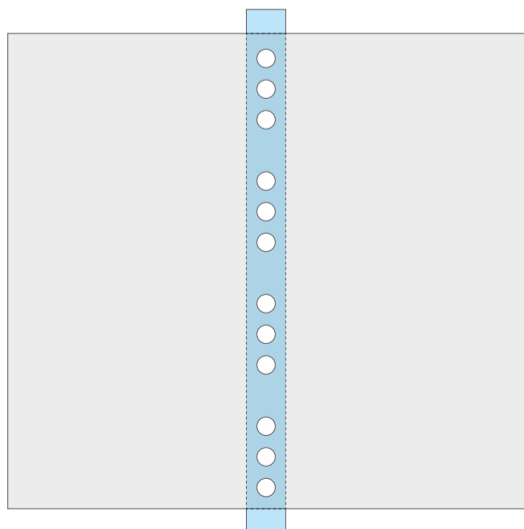


Sunny New Year.
Made in Germany.

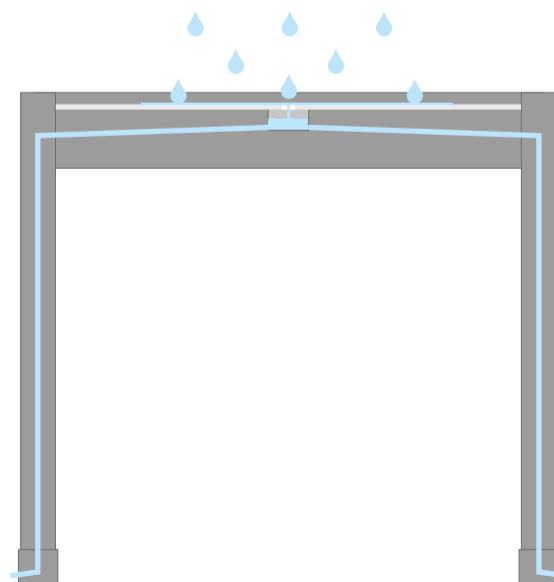
2018 sees eight exceptional ideas that are
way ahead of their time
markilux: innovate - differentiate - captivate

7

Elegant. Markant.
Makes the sun and rain
take a detour.



Awning cover with round openings and rain gutter underneath ensure controlled drainage.



The rain gutter guides the water to the outer columns and via them to the ground. Drainage through the foundations into the ground is possible on request.



markilux markant

An innovation that keeps your feet dry The free-standing awning frame system markilux markant offers sun, rain and weather protection that can be customized to your personal needs. The integrated awning gives the system a textile character and offers a high degree of individual colour options creating a pleasant atmosphere. Security, freedom, aesthetics and comfort in a purist design.

- + Rain protection: Rainwater runs through prefabricated cover openings into the gutter system
- + Slender aluminium ribs support the awning cover under very high loads.
For a clear view of the cover, these can be easily removed in adequate weather conditions.
- + Max. area covered is 6 m × 6 m with two individually operatable awnings, as single units up to 3 m × 6 m
- + Overall height 2.6 m, bespoke heights available on request
- + markilux heater, LED lighting, vertical cassette awnings, io remote technology etc. are optional accessories



markilux markant – cosy outdoor atmosphere

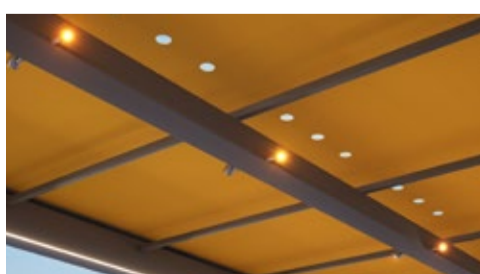


Enjoy the outdoors The markilux markant ideally complements high-end outdoor areas. It lets you spend as much time as possible outdoors without compromising weather protection, comfort and a relaxing atmosphere. An enjoyable lifestyle living experience on the patio and in the garden – whatever the weather – in almost any season. Great quality of life. markilux markant.

- + Protects against sun, wind and rain
- + Innovative, purist design
- + High-quality materials and workmanship
- + Made in Germany
- + Individual fabric patterns and frame colours



markilux markant – inviting hospitality



A recipe for great taste The new markilux markant combines carefully matched, high-quality components and is therefore ideal for professional use in the hospitality sector. Guests are catered for in the open air while at the same time being protected from heat, cold, wind and rain. A wide range of optional accessories ensures the desired atmosphere. From the atmosphere-creating LED lighting to the infrared heater, which quickly spreads cosy warmth – the markilux markant meets the demands of modern, effective and exclusive outdoor catering.

- + Highly wind resistant (up to Beaufort force 6)
- + Individual fabric patterns and frame colours
- + Wide range of optional accessories: markilux heater, LED line and / or spots, vertical cassette blinds, io remote control technology, intelligent automatic controls etc.



Mutual.
Attraction.

markilux 620 and 625



Inspiration. Gravity. The markilux 620 and 625 vertical blinds please the eye with their optimised, straightforward design and purist appearance, which blends in perfectly with the architecture.

- + Compact full cassettes for large windows:
 - markilux 620: 95 mm × 110 mm cassette, awning up to 4 m × 3 m / 3 m × 4 m (width × height)
 - markilux 625: 125 mm × 135 mm cassette, awning up to 6 m × 3.5 m / 5.5 m × 4 m (width × height)
- + Motor drive optionally available with io remote control technology
- + tracfix: for a more attractive overall appearance and better wind stability
- + Side cheeks made of die-cast aluminium
- + The markilux 625 can be combined perfectly with the frame systems markilux construct and markant due to matching cassette dimensions



Side cheeks made of die-cast aluminium

Improved closing guides and cable routing



markilux 625 reveal fixture



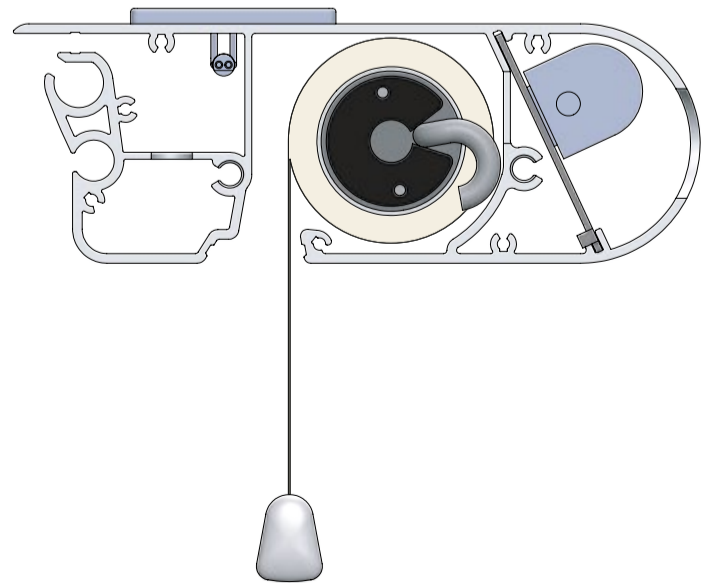
markilux 625 face fixture



markilux 625 viewed from the inside



Slender front profile of the markilux pergola including shadeplus and solar panel markilux sundrive

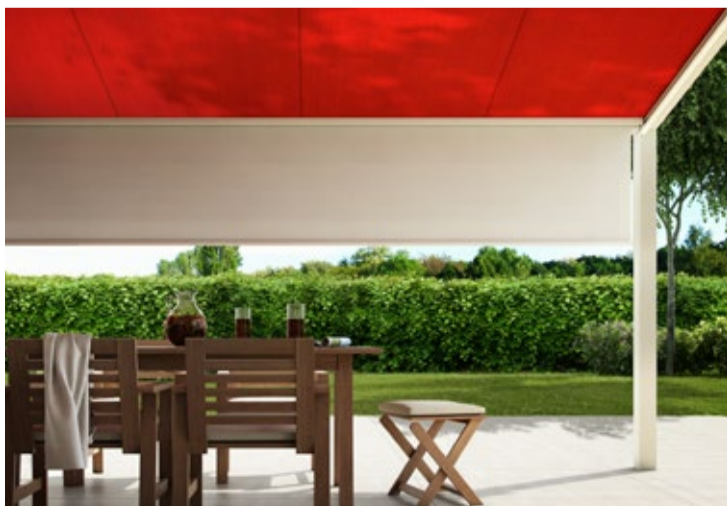




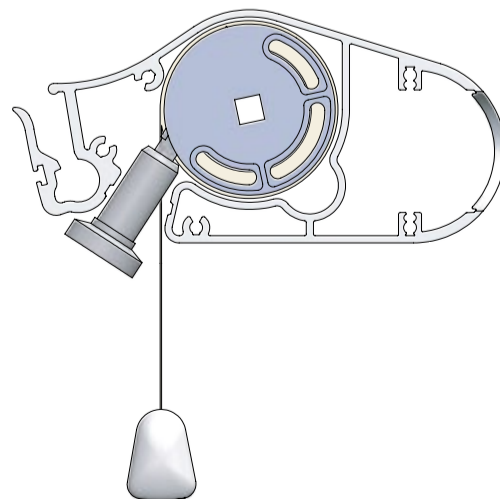
markilux pergola shadeplus

Plus. More living space. The markilux pergola, the large shading system on slender posts with lateral guide tracks, has been ingeniously improved. The shadeplus for vertical shading is now integrated into the front profile of the awning.

- + Slender front profile with integrated shadeplus
- + Shadeplus up to 6 m wide and 2.3 m drop for a large shading area
- + Solar panel markilux sundrive for a high operating comfort without visible cable routing (optional)
- + Combination of shadeplus and LED lighting in the cover support tube possible
- + tracfix is standard for all versions of the markilux pergola (highly wind resistant)



Shadeplus for the markilux 779 / 879,
the perfect addition to glass canopies





markilux 779 / 879 shadeplus

Enhanced. Development. The popular under-glass awnings for glass canopies, markilux 779 and 879, will also be upgraded with a markilux shadeplus integrated into the front profile. A perfect solution that complements the idea of clear design, made in Germany and achieves even more functionality for the user.

- Front profile in a fresh design with integrated shadeplus possible
- New magnetic crank handle for easy, manual operation
- Up to a width of 5 m and a drop of 2.1 m
- Combination of shadeplus and LED lighting in the cover support tube possible



Not hard
to the touch.

markilux io designcontrol

Everything well under control

The new markilux io designcontrol handheld remote controls have been developed exclusively for markilux. They impress with their simple, functional, ergonomic design in combination with the latest radio technology.

+ 1 channel remote for the convenient control of a single radio receiver

+ 5 channel handheld remote for the control of up to five radio receivers, e.g. awning motors, lighting, heaters, shadeplus etc.



markilux io 1 designcontrol



markilux io 5 designcontrol

Switch on. **To switch off.**



Comfort. Perfect frequency

The new standard for the reliable and safe remote operation of awnings, lighting and heaters.

- + markilux io radio technology as the new standard for all awning models
- + Bidirectional radio technology allows integration into smart-home solutions (additional products required)



markilux io radio
technology

Heart. **Warming.**



markilux heater



LED spotline in a new design and in two sizes (180 cm with 3 spots and 300 cm with 5 spots). Matching the design of the new markilux radiant heaters.

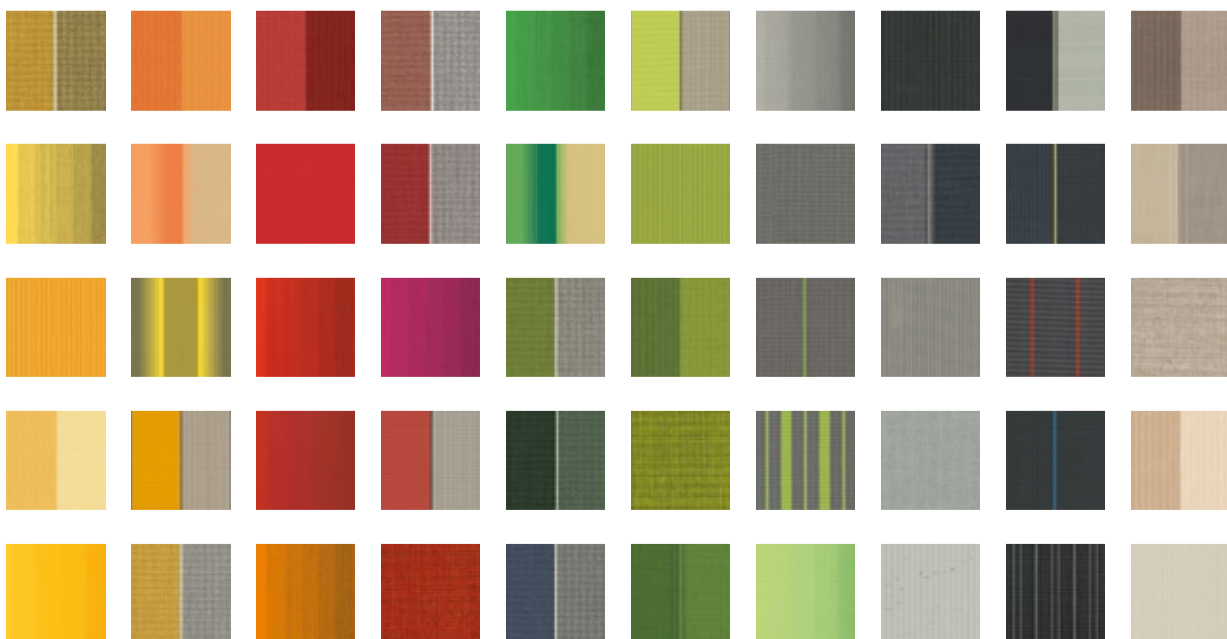
Maximum. Feel-good output. Pleasant infrared heat at the push of a button with the innovative markilux radiant heaters. Efficient, energy-saving and in a new design. Three versions provide cosy warmth outdoors.

- + Infrared halogen technology for an increased perception of warmth
- + Especially developed reflector optimises heat distribution
- + Energy-efficient technology, pleasant light temperature, approx. 3200 Kelvin
- + Soft start function: no additional fusing required due to reduced initialisation current
- + Available in 2000 Watt and 2500 Watt
- + 2500 Watt optional with built-in io radio receiver and three-step dimmer



8

A small revolution.
A great collection.



markilux

safe timeless beautiful



markilux **visutex** 50 / 4 / me

visutex Exclusive Collection | vision - innovation - inspiration

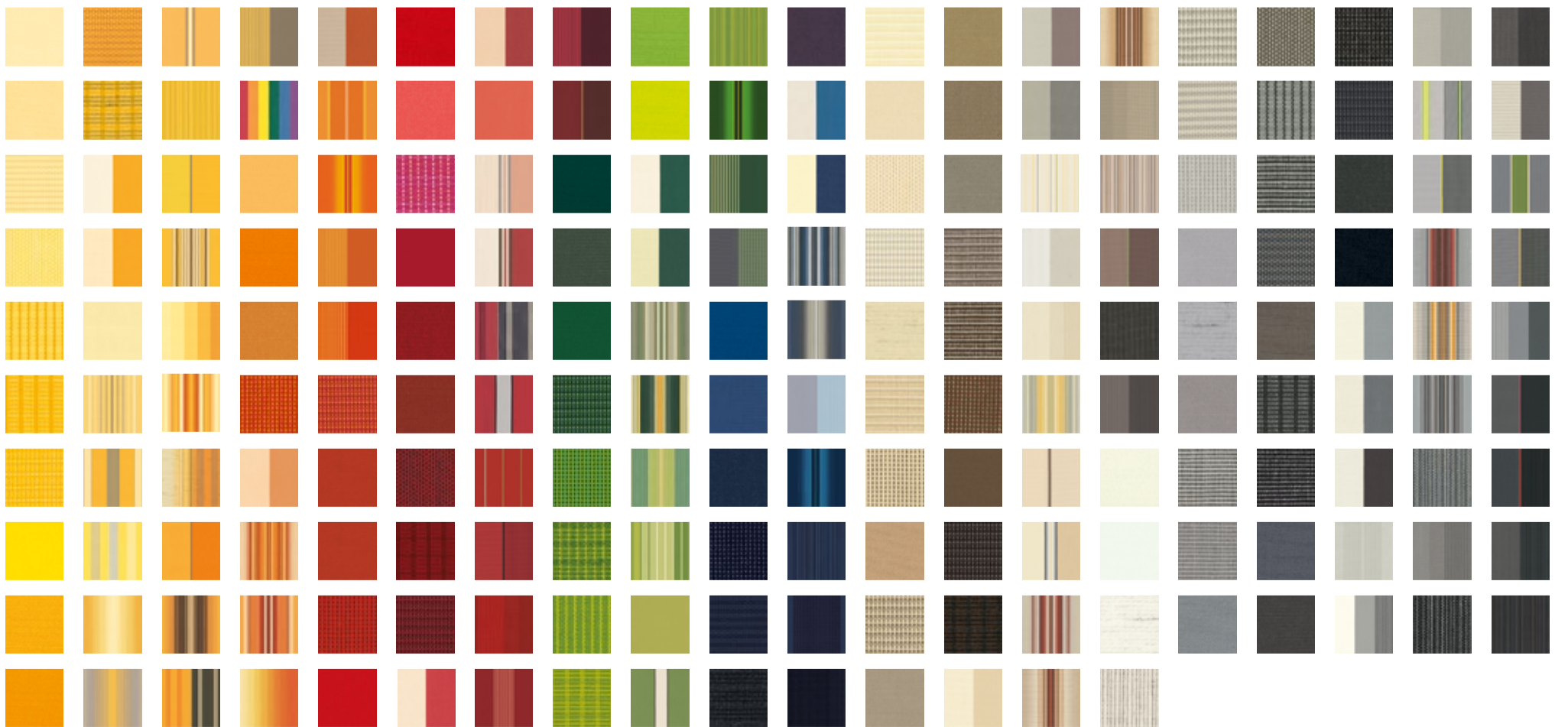
Inspiration from the fields of fashion, architecture, colour and nature.
Fifty innovative fabrics to create your very own personal awning heaven
in the proven qualities sunsilk and sunvas – exclusively from markilux.

- + Vibrant colours with a vivid and lively weave
- + Finely balanced textures
- + Innovative mouliné yarns and repeat-dyeing techniques
- + Specially large pattern repeats for smooth colour gradationis

colour **on demand** – 1625 fabric colours



- + Exclusive choice from the designer range of RAL colours





markilux **SUN**day basic collection

When every day is a sunday. Feel-good patterns from markilux

The latest trends have determined the development and design of these new and timeless patterns. Colour nuances, patterns and textured effects create that special touch under a markilux designer awning. With the new fabric patterns of the markilux **sunday** basic collection, every day is a sunday.

- + 195 timeless and attractive patterns in seven thematically balanced colour families
- + Highest light and weather fastness ratings
- + All markilux awning covers comply with the UPF 50+ rating thus offering the best UV protection possible
- + Self-cleaning SNC effect, for long-lasting beautiful textiles
- + Certified according to Oeko-Tex Standard 100



ne8
THE NEW EIGHT