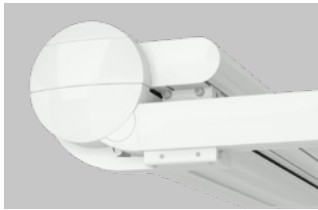




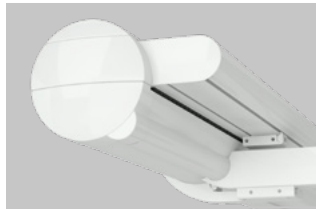
markilux 8850

**Round, square, flexible – the designer conservatory awning
with indented guide tracks for bevel-edged conservatories**

**rated to wind resistance class 2
(corresponds to Beaufort 5)**



side view
bottom fixture;
guide tracks
at the outer extremities
of the unit



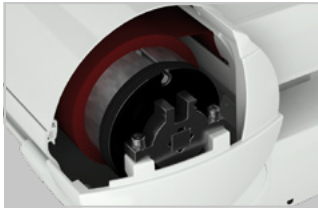
side view
bottom fixture;
guide tracks
indented



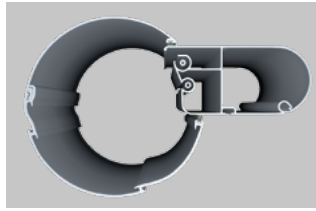
side view
with wall sealing profile
(optional)
effective up to a
maximum awning
pitch of 15°



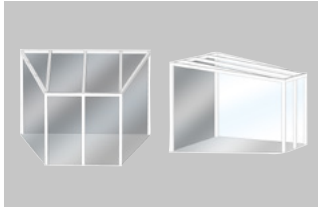
side view
face fixture;
guide tracks
indented



maintenance
cover at each end
of the cassette aids
quick installation



the retracted cover
is protected within
the cassette



example
conservatory with
inward-running
mullions

Design Features

the round cassette and angular guide tracks harmonise perfectly with one another and with the shapes found in contemporary conservatory design

when fully extended the rounded front profile harmonises perfectly with the ends of the guide tracks

when closed the blind cover is protected from the weather by the fully encompassing cassette

for long-lasting attractiveness the awning has been powder coated

Technical Specification

awning completely pre-assembled and tested in the factory

indented guide tracks – for use on bevel-edged conservatories

guide tracks can be indented up to 100 cm – if the system is asymmetrical the difference left and right may not exceed 40 cm

guide tracks can overhang the outermost bracket by up to 100 cm, giving even more protection from the sun

permanently high cover tension is achieved by way of two special gas-piston mechanisms operating independently of one another

brackets with patented clip-on mechanism for simple, problem free installation

Optional Accessories

radio-controlled motor with remote control for comfortable operation, markilux remote control with ergonomic design

an easily installed, radio control light and wind sensor guarantees comfort and a degree of safety even in your absence

wall sealing profile to cover the gap between awning and wall

to simplify fixture, a broad selection of brackets is available

awning available in non-standard RAL colours

Dimensions and configuration options

		150	200	250	300	350	400	450	500	550	600	650 ¹⁾		
		80 150	151 200	201 250	251 300	301 350	351 400	401 450	451 500	501 550	551 600	601 650		
	150												70	80
	200													
	250													
	300													
	350													
	400													
	450													
	500													

1) additional guide track overhang of 90 mm

dimensions in cm

Operation / Drive unit

	standard	optional
hard-wired motor	<input checked="" type="checkbox"/>	—
radio-controlled motor (433 MHz)	—	<input checked="" type="checkbox"/>
io radio-controlled motor	—	<input checked="" type="checkbox"/>

Frame colours

	standard	optional
traffic white RAL 9016	<input type="checkbox"/>	
metallic aluminium RAL 9006	<input type="checkbox"/>	
anthracite metallic RAL 5204	<input type="checkbox"/>	
grey brown, similar to RAL 8019	<input type="checkbox"/>	
non-standard powder-coated finish		

Colours similar to those in the RAL chart. Colours may differ slightly from those depicted in both hue and finish.

Covers

	fabric range no.	standard	optional
sunsilk snc	324 xx / 328 xx / 369 xx	<input checked="" type="checkbox"/>	—
sunvas snc	310 xx / 311 xx 313 xx — 315 xx	<input checked="" type="checkbox"/>	—
sunsilk perla FR	374 xx	—	<input checked="" type="checkbox"/> ²⁾
perfortex	332 xx	<input checked="" type="checkbox"/>	—
sunvas perla	370 xx	—	<input checked="" type="checkbox"/> ²⁾

2) only available in tracfix units

Miscellaneous

	standard	optional
wall sealing profile	—	<input checked="" type="checkbox"/> ³⁾
light and wind sensor	—	<input checked="" type="checkbox"/>

3) up to a maximum awning pitch of 15°

Dimensions and tolerances

	width	drop
housing tolerances	+5 / -5 mm	
awning cover width	fixture width - 60 mm ⁴⁾ overall awning width - 160 mm ⁵⁾	
awning cover length		on request

4) for units with guide tracks at the outer extremities

5) for units with indented guide tracks

= hard-wired motor

= radio-controlled motor (433 MHz)

M = overall width

M min. = minimum widths

H = extension

01
02
03
04
05
06
07
08
09
10
11
12
13
14
15
16
17
18
19
20
21

Additional Information

The width of the awning cover is always **less** than that of the awning.

Definition of fixture / order width: The order width is a combination of the fixture width i.e. the measurement from fixture point to fixture point on the conservatory and the overhang on either side. The overhang on the left and on the right may be between 10 cm and 100 cm (see the L and R measurements in the diagram). The fixture width must be greater than the larger of the two overhangs (L and R). In the case of asymmetrical units the difference between the overhang on the left (L measurement) and the overhang on the right (R measurement) may not exceed 40 cm. The fixture width tolerance is + 5 mm / - 10 mm.

Definition of extension: the nominal extension is measured with the awning extended from the back of the cassette to the leading edge of the front profile (**the guide tracks will extend 90 mm past this point**). For the tolerance in the extension please consult the section "Technical Information".

Definition of operating side: the operating side is always given as if seen from the outside looking towards the cassette (right or left).

In cases of face fixture the **awning can be set at a pitch of between 5° and 45°**. Track-only mounted awnings can be set at **pitches of up to 90°**.

The markilux 8850 cannot be made to run uphill.

N.B! If the **motor is used continuously** it will stop automatically after 3 to 4 minutes **to prevent overheating**.

N.B! In contrast to standard motors, **radio-controlled motors** have **no safety cut-out mechanism** if the front profile is obstructed. If this function is desired in combination with radio-controlled operation, order the hard-wired motor with an external radio receiver and an appropriate transmitter.

In the case of a **bank of blinds operating simultaneously**, the same speed of rotation of the motors cannot be guaranteed because of the internal tolerances of the motors.

The extension rate of a single unit with **hard-wired motor** takes **approximately 18 seconds per metre**.

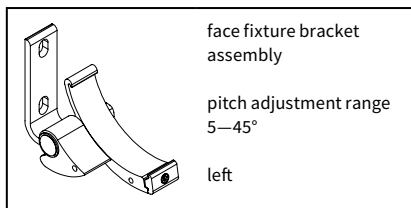
N.B! From an **extension of 351 cm** the cover may sag during extension and retraction of the awning. In windy or wet weather and with cover areas larger than 16 m² the cover may come into contact with the conservatory roof.

This model is only available as a single unit.

Depending on the size of the awning, deflection may be in evidence in individual profiles and sections of profile which is completely unavoidable. This affects neither the functionality nor the durability of the awning.

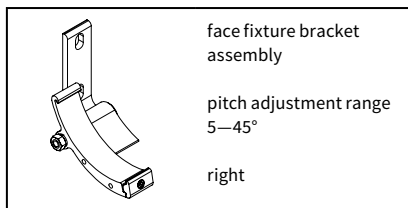
Fixtures, fittings and accessories

Cassette fixture brackets



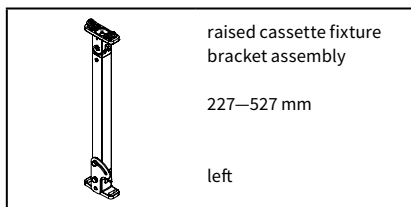
face fixture bracket assembly
pitch adjustment range 5–45°
left

76063.



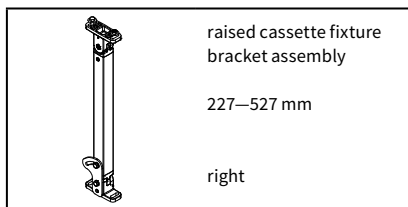
face fixture bracket assembly
pitch adjustment range 5–45°
right

76064.



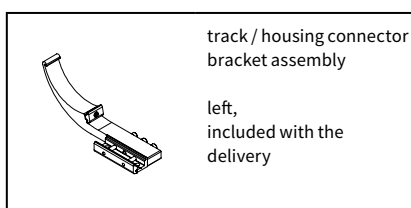
raised cassette fixture bracket assembly
227–527 mm
left

76044.



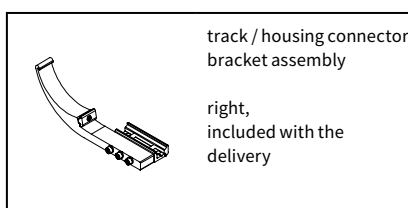
raised cassette fixture bracket assembly
227–527 mm
right

76066.



track / housing connector bracket assembly
left,
included with the delivery

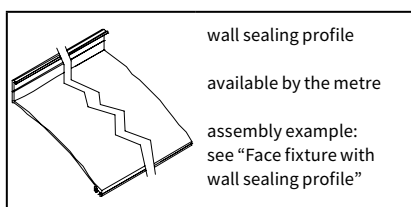
76175.



track / housing connector bracket assembly
right,
included with the delivery

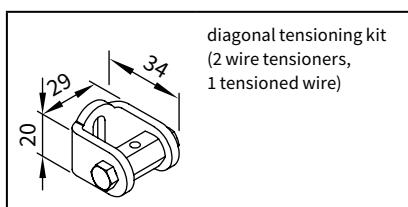
76176.

Accessories



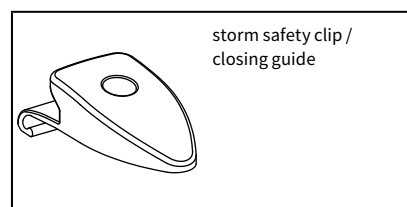
wall sealing profile
available by the metre
assembly example:
see “Face fixture with
wall sealing profile”

77780.



diagonal tensioning kit
(2 wire tensioners,
1 tensioned wire)

71790.



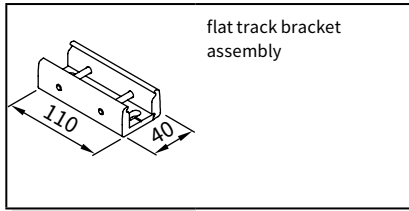
storm safety clip /
closing guide

76235.

. = insert RAL colour code no.

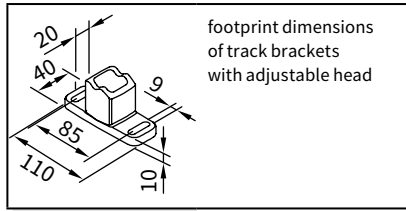
Fixtures, fittings and accessories

Track brackets

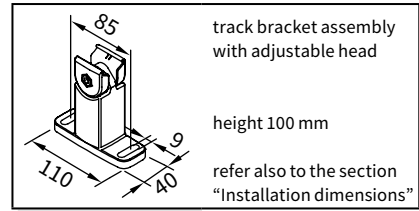


flat track bracket assembly

76207.



footprint dimensions of track brackets with adjustable head

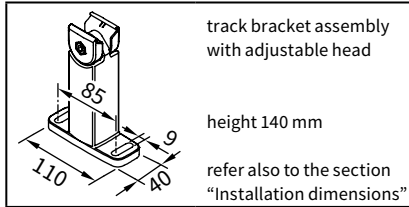


track bracket assembly with adjustable head

height 100 mm

refer also to the section "Installation dimensions"

76046.

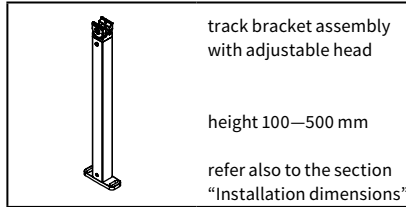


track bracket assembly with adjustable head

height 140 mm

refer also to the section "Installation dimensions"

76048.

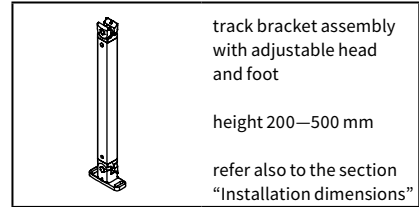


track bracket assembly with adjustable head

height 100–500 mm

refer also to the section "Installation dimensions"

76047.

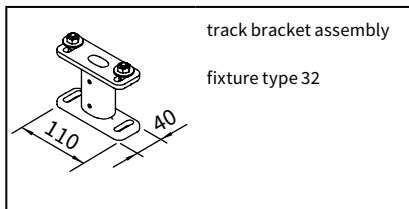


track bracket assembly with adjustable head and foot

height 200–500 mm

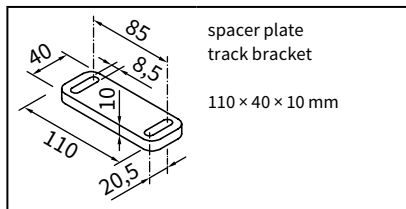
refer also to the section "Installation dimensions"

76045.



track bracket assembly fixture type 32

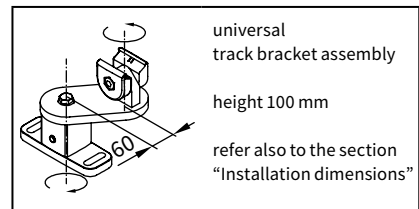
76085.



spacer plate track bracket

110 × 40 × 10 mm

78570.

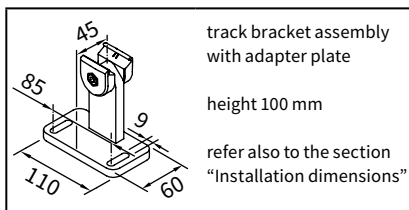


universal track bracket assembly

height 100 mm

refer also to the section "Installation dimensions"

76054.

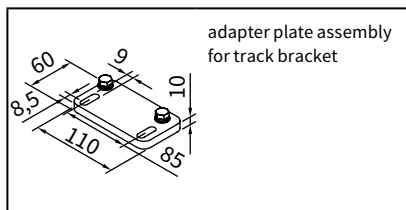


track bracket assembly with adapter plate

height 100 mm

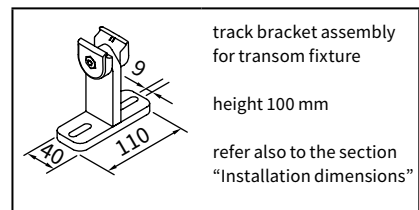
refer also to the section "Installation dimensions"

76199.



adapter plate assembly for track bracket

78165.

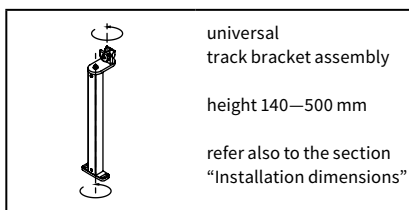


track bracket assembly for transom fixture

height 100 mm

refer also to the section "Installation dimensions"

76055.

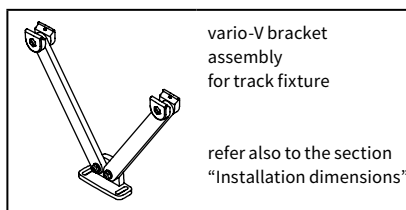


universal track bracket assembly

height 140–500 mm

refer also to the section "Installation dimensions"

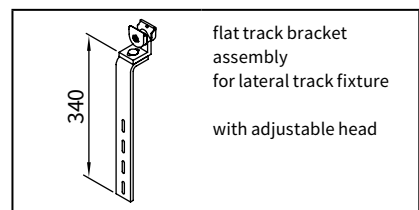
76053.



vario-V bracket assembly for track fixture

refer also to the section "Installation dimensions"

76052.



flat track bracket assembly for lateral track fixture with adjustable head

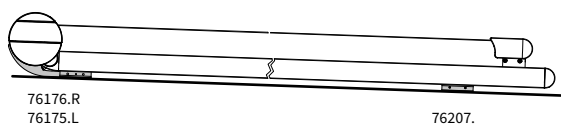
76049.

. = insert RAL colour code no.

Fixture combinations

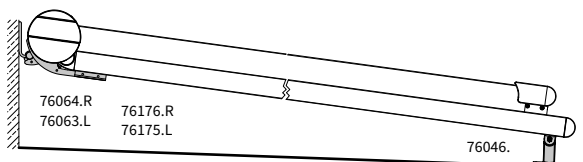
All brackets incur a surcharge

Fixture type
11



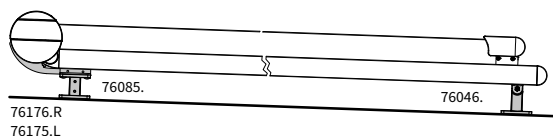
- from an extension of 4001 mm an additional bracket 76207. per guide track is required

Fixture type
12



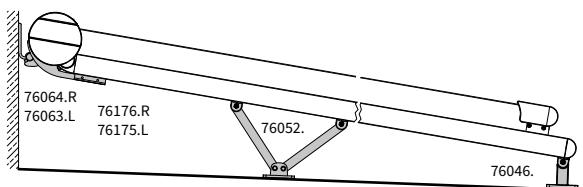
- from an extension of 4001 mm, fixture type 51

Fixture type
32



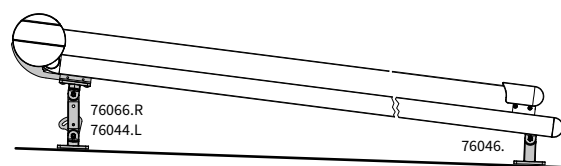
- from an extension of 4001 mm an additional bracket 76046. per guide track is required

Fixture type
51



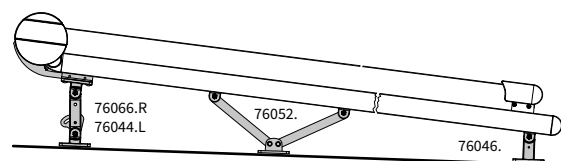
- up to an extension of 4000 mm, fixture type 12

Fixture type
61



- from an extension of 4001 mm, fixture type 81
- diagonal tensioners are recommended

Fixture type
81

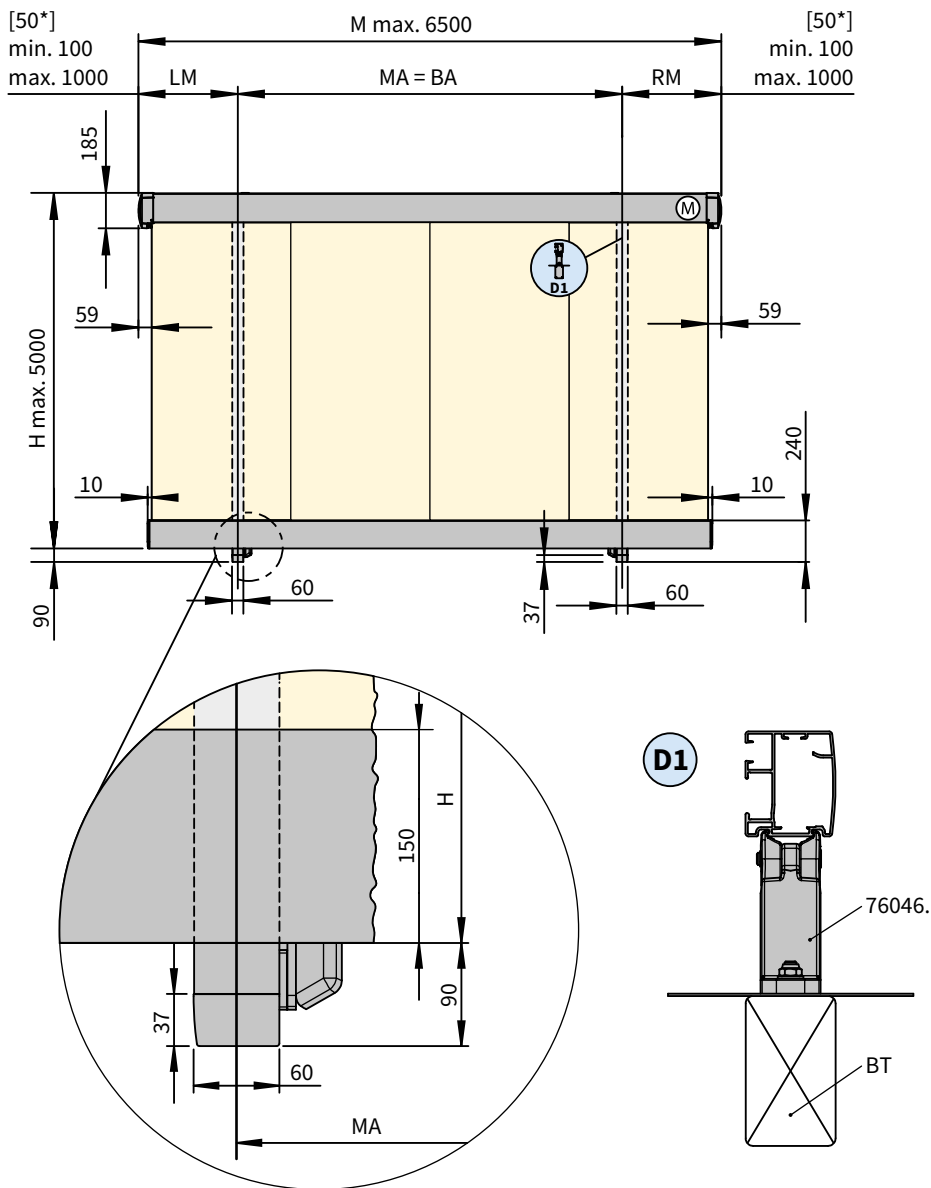


- up to an extension of 4000 mm, fixture type 61
- diagonal tensioners are recommended

Individual bracket combinations – see “Fixtures, fittings and accessories”. Please note the minimum quantity required for the width and unit height you intend to order!

Installation dimensions

Dimensions single unit



dimensions in mm

[...]* = dimensions for units with guide tracks pushed as far out as possible

Ⓜ = motor

H = nominal extension

M = overall awning width

MA = awning fixture width = awning width between fixture points

LM = L dimension

RM = R dimension

BA = width between fixture points

D1 = detail of single guide track with bracket

BT = mullion / fixture substrate

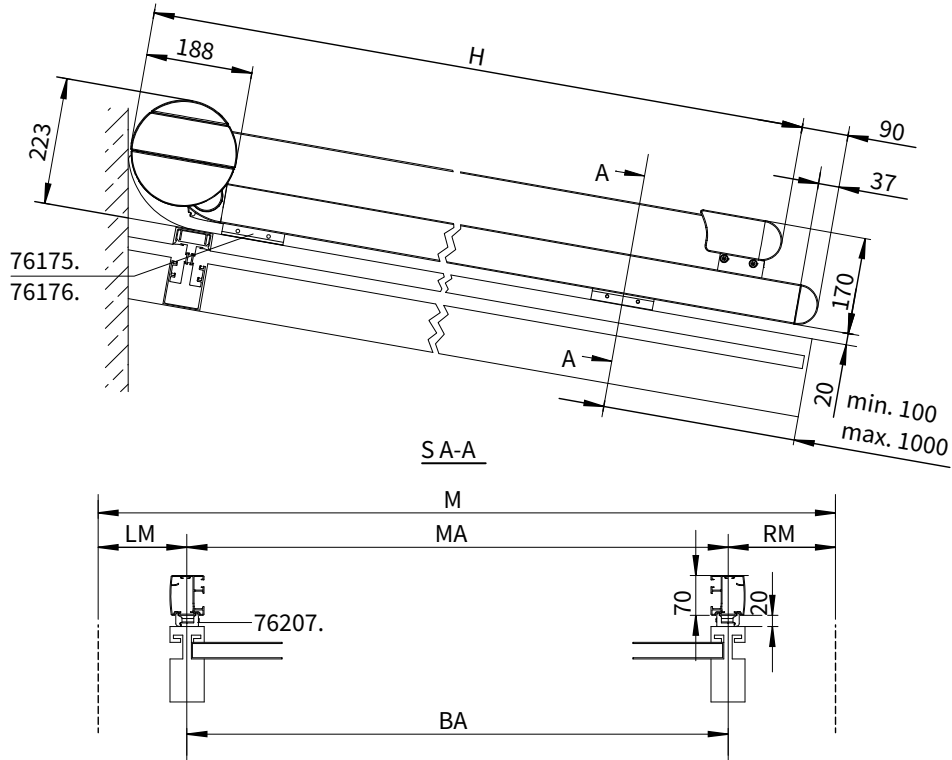
76046. = track bracket with adjustable head

Attention! The awning fixture width must be greater than both the L and the R measurements.

The difference between the L dimension and the R dimension may not exceed 400 mm.

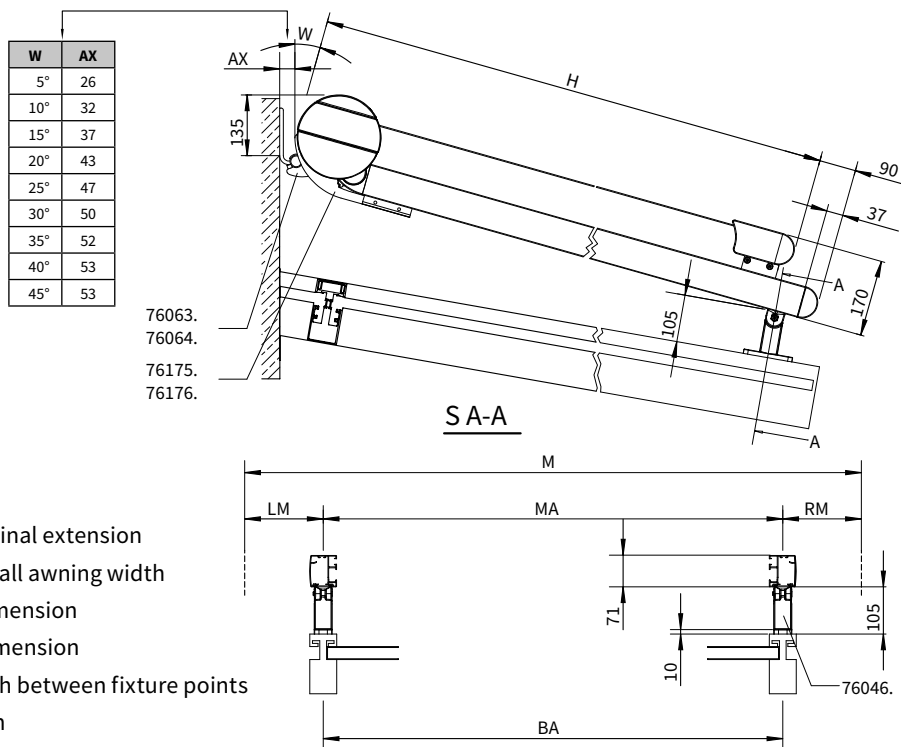
Installation dimensions

Fixture type 11, bottom fixture



dimensions in mm

Fixture combination 12, face fixture



W	AX
5°	26
10°	32
15°	37
20°	43
25°	47
30°	50
35°	52
40°	53
45°	53

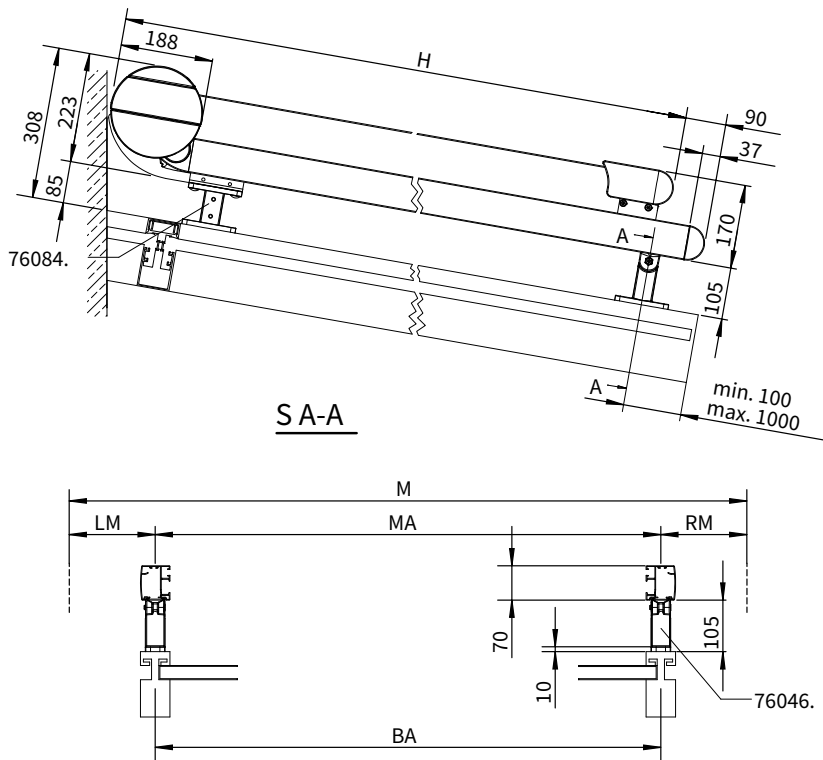
- H = nominal extension
- M = overall awning width
- LM = L dimension
- RM = R dimension
- BA = width between fixture points
- W = pitch
- AX = distance from cassette to wall
- S = in cross section

- MA = awning fixture width =
- 76063. = face fixture cassette bracket, left
- 76064. = face fixture cassette bracket, right
- 76175. = housing fixture bracket, left
- 76176. = housing fixture bracket, right
- 76207. = flat track bracket, up to an extension of 4000 mm, 1 per track, from an extension of 4001 mm, 2 per track
- 76046. = track bracket with adjustable head, up to an extension of 4000 mm, 1 per track, from an extension of 4001 mm, 2 per track

dimensions in mm

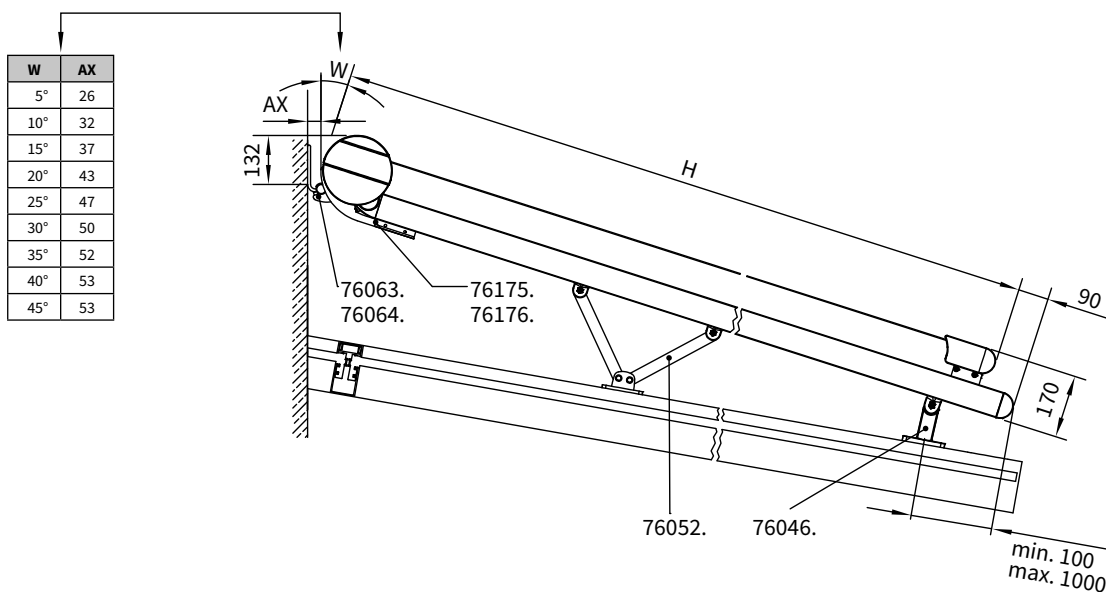
Installation dimensions

Fixture type 32, track fixture



dimensions in mm

Fixture type 51, face fixture for extensions greater than 4000 mm



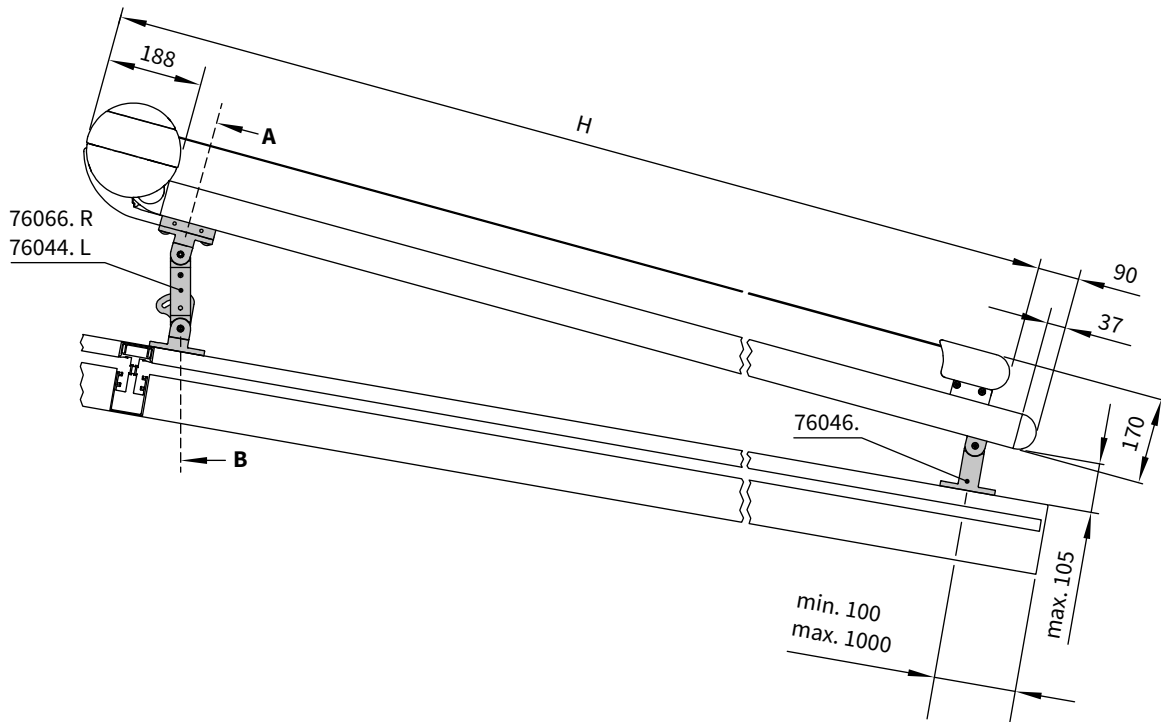
dimensions in mm

- H = nominal extension
- M = overall awning width
- MA = awning fixture width = awning width between fixture points
- LM = L dimension
- RM = R dimension
- BA = width between fixture points
- W = pitch
- AX = distance from cassette to wall

- S = in cross section
- 76046 = track bracket with adjustable head
- 76052 = vario-V bracket
- 76063 = face fixture cassette bracket, left
- 76064 = face fixture cassette bracket, right
- 76084 = raised cassette fixture bracket
- 76175 = cassette fixture bracket, left
- 76176 = cassette fixture bracket, right

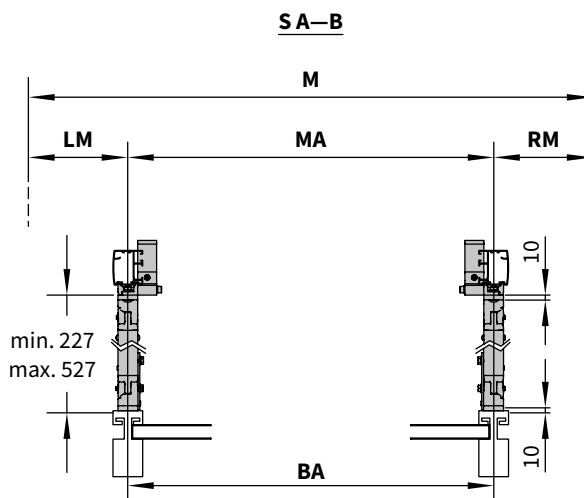
Installation dimensions

Fixture type 61, raised bottom fixture



dimensions in mm

Cross section A-B, fixture types 61 and 81



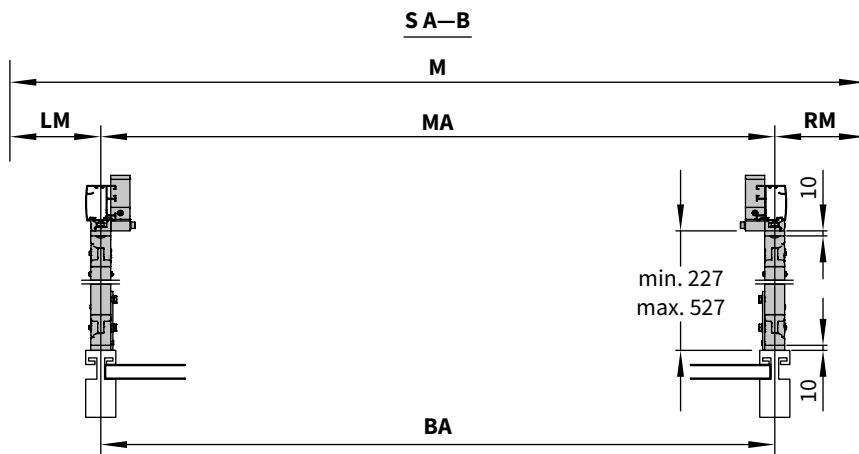
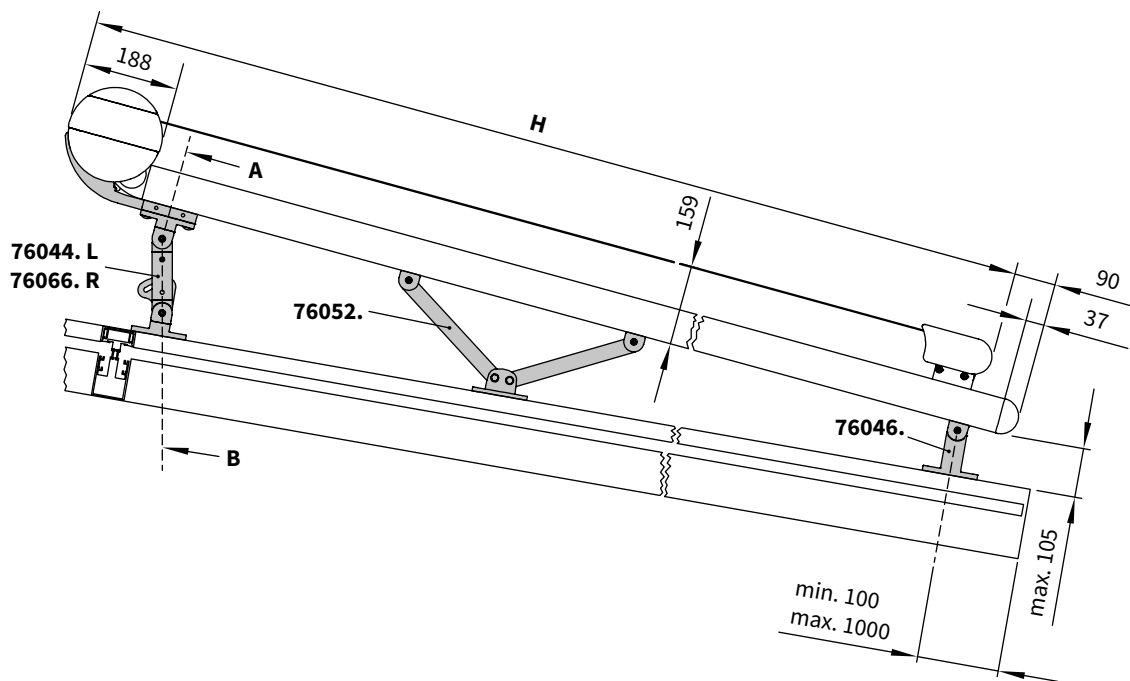
dimensions in mm

- H = nominal extension
- M = overall awning width
- MA = awning fixture width = awning width between fixture points
- LM = L dimension
- RM = R dimension
- BA = width between fixture points

- S = in cross section
- 76071. = raised cassette fixture bracket, left
- 76072. = raised cassette fixture bracket, right
- 76045. = track bracket with adjustable head and foot
- 76046. = track bracket with adjustable head

Installation dimensions

Fixture type 81, raised bottom fixture using vario-V brackets

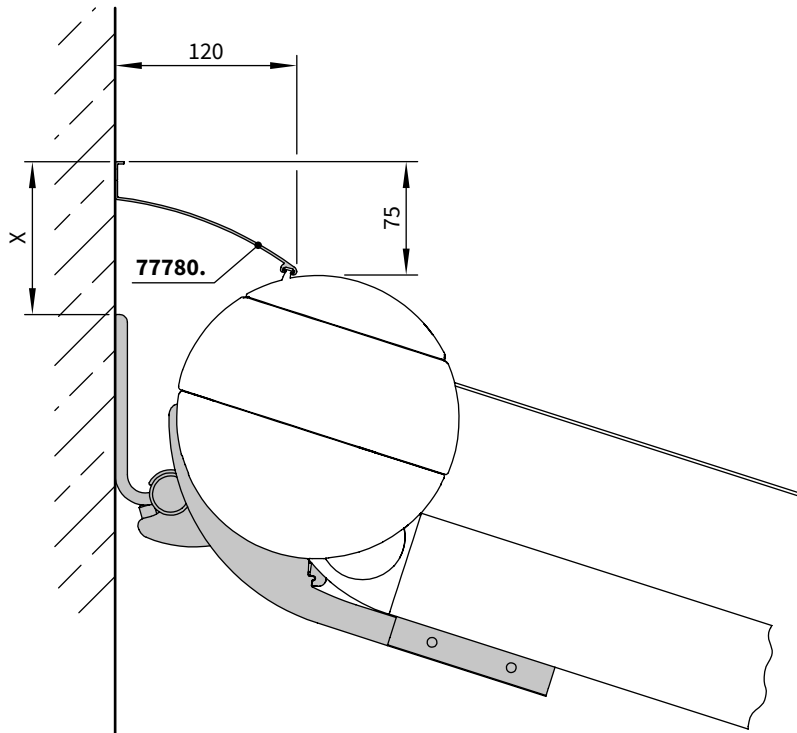


dimensions in mm

- S = in cross section
- M = overall awning width
- MA = awning fixture width = awning width between fixture points
- LM = L dimension
- RM = R dimension
- BA = width between fixture points
- H = nominal extension
- 76071. = raised cassette fixture bracket, left
- 76072. = raised cassette fixture bracket, right
- 76046. = track bracket with adjustable head
- 76052. = vario-V bracket

Installation dimensions

Face fixture with wall sealing profile



W	X
5°	122
10°	114
15°	105
20°	—
25°	—
30°	—
35°	—
40°	—
45°	—

dimensions in mm

W = pitch

X = distance from the top edge of the face fixture bracket to the top edge of the wall sealing profile

77780. = wall sealing profile effective up to a maximum awning pitch of 15°

- 01
- 02
- 03
- 04
- 05
- 06
- 07
- 08
- 09
- 10
- 11
- 12
- 13
- 14
- 15
- 16
- 17
- 18
- 19
- 20
- 21

