



markilux 725 / 825

The vertical cassette blind with elegant guide tracks and variable, stand-off fixture

**rated to wind resistance class 2
(corresponds to Beaufort 5)**



side view
markilux 725



side view
markilux 825



square cassette
markilux 725



round cassette
markilux 825



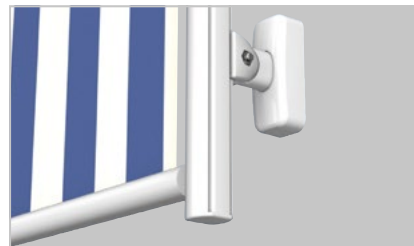
reveal fixture
square cassette
markilux 725



reveal fixture
round cassette
markilux 825



cover profile
to block the gap
between cover and
track (optional)



decorative cap
assembly
for track bracket
(optional)

Design Features

the markilux 725: compact, square and discreet, the cassette profile made of extruded aluminium is only 95 mm in height

when closed the blind cover is protected from the weather by the fully encompassing cassette

stand-off fixture from the façade. This embellishes the building still further

for long-lasting attractiveness the blind has been powder coated

Technical Specification

the blind cover is guided along sturdy, aluminium guide rails

robust, self-supporting cassette made of extruded aluminium

extremely sturdy, stainless steel side cheek, sheathed in plastic and powder coated

to simplify fixture, a broad selection of brackets is available

operation by means of a smooth gearbox and universal joint

also available as a coupled unit to span large widths

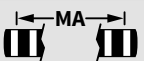
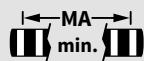



Optional Accessories

hard-wired motor operation (optionally with automatic weather controls) for straightforward and easy operation

radio-controlled motor with radio remote control for ease of use

an easily installed, radio control light and wind sensor guarantees comfort and a degree of safety – even in your absence

Dimensions and configuration options

									
		75	100	150	200	250	300		
		66 75	76 100	101 150	151 200	201 250	251 300		
overall width		+ 5							
	120							74.5	73.5
	160								
	200								
	250								
	300								
	350								

 = 
  = 
dimensions in cm

Operation / Drive unit

	standard	optional
winding handle operation	<input checked="" type="checkbox"/>	—
operation from the rear	—	<input checked="" type="checkbox"/>
hard-wired motor	—	<input checked="" type="checkbox"/>
io radio-controlled motor	—	<input checked="" type="checkbox"/>
radio-controlled motor (433 MHz)	—	<input checked="" type="checkbox"/>

Coupled units

	standard	optional
2 fields	—	<input checked="" type="checkbox"/>

Dimensions and tolerances

	width	drop
housing tolerances	+ 5 / - 10 mm	
blind cover width = blind fixture width	- 90 mm	
blind cover length = unit height		± 0 mm




Covers

	fabric range no.	standard	optional
sunsilk snc	324 xx / 328 xx / 369 xx	<input checked="" type="checkbox"/> 1)	—
sunvas snc	310 xx / 311 xx 313 xx — 315 xx	<input checked="" type="checkbox"/> 1)	—
sunsilk perla FR	374 xx	—	<input checked="" type="checkbox"/> 2)
transolair	338 xx	—	<input checked="" type="checkbox"/> 4)
perfotex	332 xx	<input checked="" type="checkbox"/> 2)	—
vuscreen ALU	317 xx	—	<input checked="" type="checkbox"/> 3)
sunvas perla	370 xx	—	<input checked="" type="checkbox"/> 2)

- 1) in the case of the markilux 725 up to a maximum unit height of 300 cm; from a certain height the cover will be made with horizontal panels
- 2) in the case of the markilux 725 up to a maximum unit height of 250 cm
- 3) only up to a width of 252 cm; in the case of the markilux 725 only seamless and up to a maximum unit height of 250 cm
- 4) cover seamless; from an overall blind width of 261 cm and a unit height of 248 cm with horizontal seam





Miscellaneous

	standard	optional
light and wind sensor	—	<input checked="" type="checkbox"/>
cover profiles for gap between side rails and cover	—	<input checked="" type="checkbox"/>

 = hard-wired motor
  = radio-controlled motor (433 MHz)
 MA = fixture width / order width
 = no. of brackets per track
 MA min. = minimum fixture width
 AH = unit height

01
02
03
04
05
06
07
08
09
10
11
12
13
14
15
16
17
18
19
20
21

Frame colours

		standard	optional
traffic white	RAL 9016		
metallic aluminium	RAL 9006		
grey brown, similar to	RAL 8019		
non-standard powder-coated finish			

Colours similar to those in the RAL chart. Colours may differ slightly from those depicted in both hue and finish.

Additional information

The width of the blind cover is always **less** than that of the blind. Please ask us about the cover sizes of coupled units.

Standard manual operation with bayonet fitting and universal joint made of stainless steel is operated from outside the building (winding handle lengths 110, 140, 160, 180 or 220 cm).

Manual operation using a universal joint and **from the rear**: This operation type should be used in installations when the system can be approached from the rear (e.g. on balconies).

In the case of **manual operation** it takes approximately 24 turns per metre of overall unit height to extend the system.

In the case of **motor operation** the blind will take approx. 15 seconds per metre to extend.

N.B! If the **motor is used continuously** it will stop automatically after 3 to 4 minutes **to prevent overheating**.

In the case of **a bank of blinds operating simultaneously**, the same speed of rotation of the motors cannot be guaranteed because of the internal tolerances of the motors.

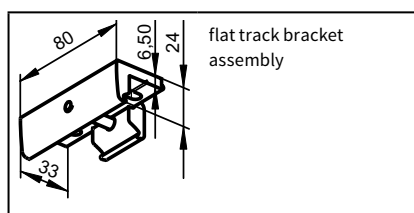
Coupled units are only available with motor (surcharge).

The maximum coupled unit width is 2 × 300 cm.

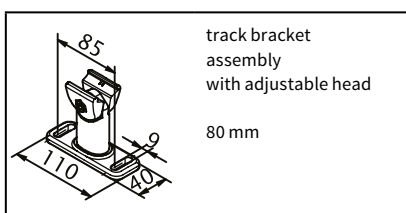
In the case of asymmetrical, coupled units, the larger field may be no more than twice as large as the smaller field.

Depending on the size of the blind, deflection may be in evidence in individual profiles and sections of profile which is completely unavoidable. This affects neither the functionality nor the durability of the awning.

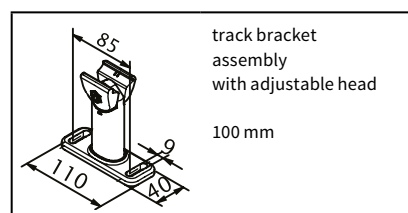
Fixtures, fittings and accessories



78548.



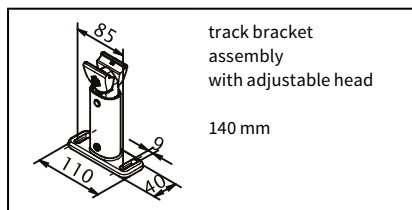
78451.



78538.

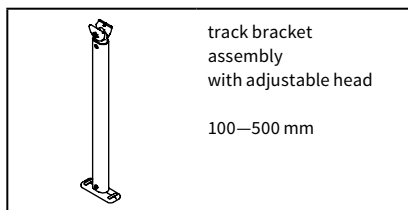
. = insert RAL colour code no.

Fixtures, fittings and accessories



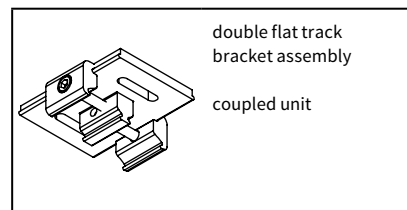
track bracket assembly with adjustable head
140 mm

78539.



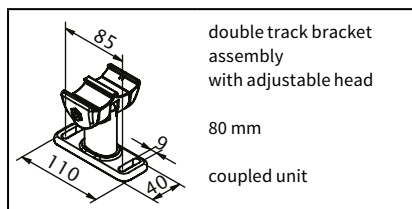
track bracket assembly with adjustable head
100–500 mm

78540.



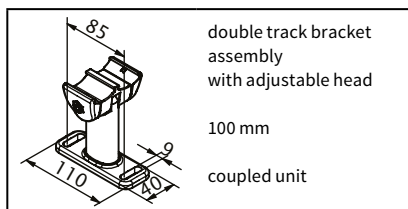
double flat track bracket assembly
coupled unit

78660.



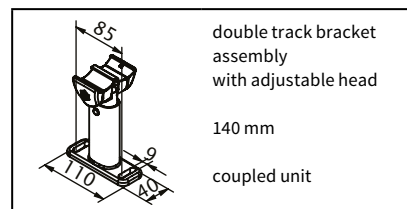
double track bracket assembly with adjustable head
80 mm
coupled unit

78454.



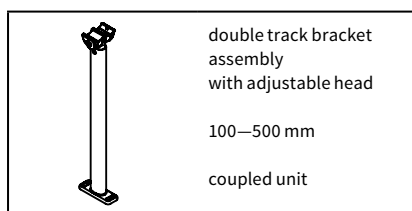
double track bracket assembly with adjustable head
100 mm
coupled unit

78663.



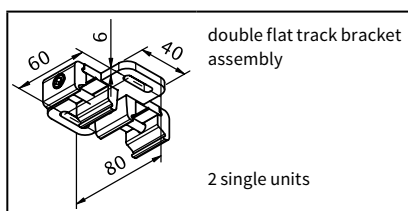
double track bracket assembly with adjustable head
140 mm
coupled unit

78664.



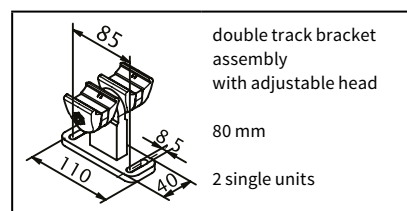
double track bracket assembly with adjustable head
100–500 mm
coupled unit

78665.



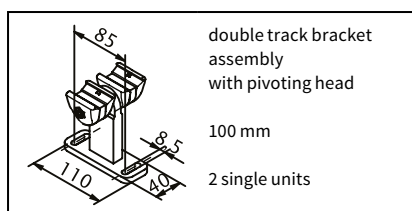
double flat track bracket assembly
2 single units

78671.



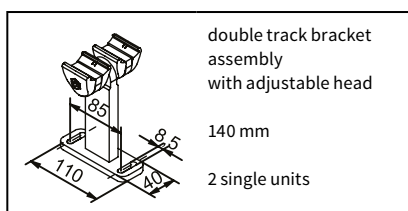
double track bracket assembly with adjustable head
80 mm
2 single units

78654.



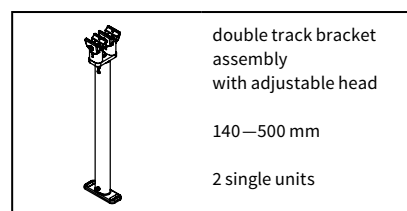
double track bracket assembly with pivoting head
100 mm
2 single units

78658.



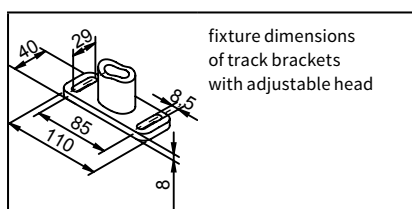
double track bracket assembly with adjustable head
140 mm
2 single units

78683.

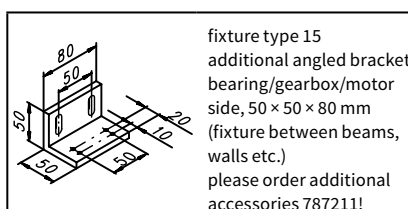


double track bracket assembly with adjustable head
140–500 mm
2 single units

78685.

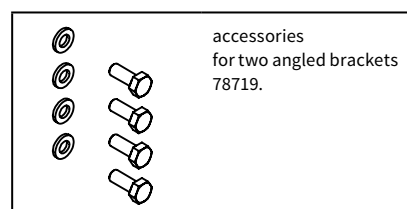


fixture dimensions of track brackets with adjustable head



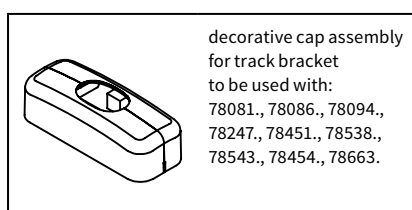
fixture type 15 additional angled bracket bearing/gearbox/motor side, 50 × 50 × 80 mm (fixture between beams, walls etc.) please order additional accessories 787211!

78719.



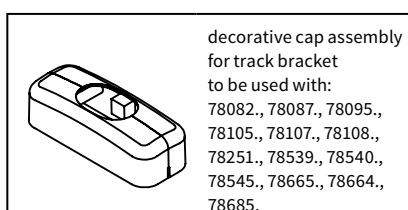
accessories for two angled brackets 78719.

787211



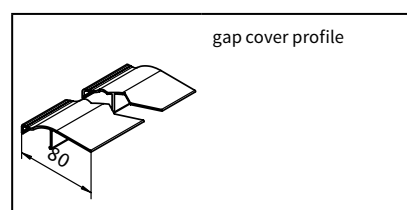
decorative cap assembly for track bracket to be used with: 78081., 78086., 78094., 78247., 78451., 78538., 78543., 78454., 78663.

76603.



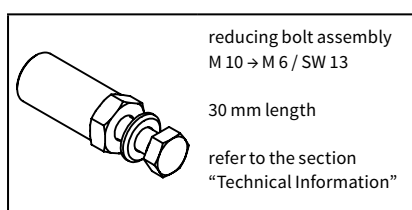
decorative cap assembly for track bracket to be used with: 78082., 78087., 78095., 78105., 78107., 78108., 78251., 78539., 78540., 78545., 78665., 78664., 78685.

76604.



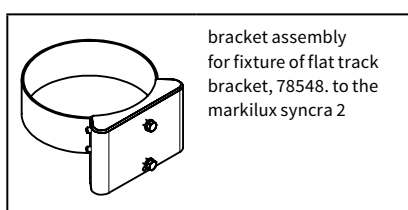
gap cover profile

78999.



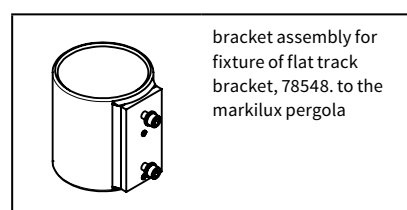
reducing bolt assembly M 10 → M 6 / SW 13
30 mm length
refer to the section "Technical Information"

753211



bracket assembly for fixture of flat track bracket, 78548. to the markilux syncra 2

72206.



bracket assembly for fixture of flat track bracket, 78548. to the markilux pergola

72203.

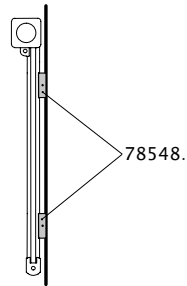
. = insert RAL colour code no.

01
02
03
04
05
06
07
08
09
10
11
12
13
14
15
16
17
18
19
20
21

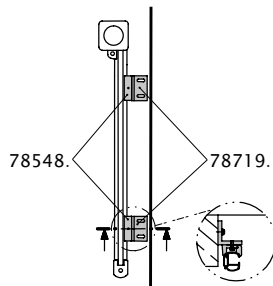
Fixture combinations / Fixture types

All brackets incur a surcharge

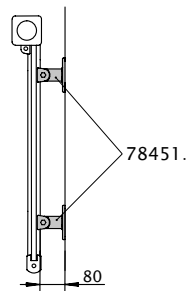
Fixture type
10*



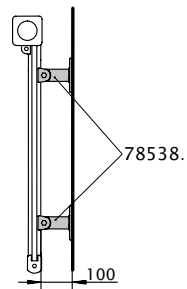
Fixture type
15*



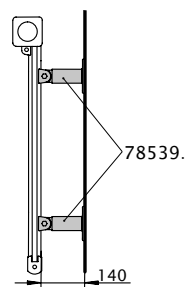
Fixture type
20*



Fixture type
21*



Fixture type
22*

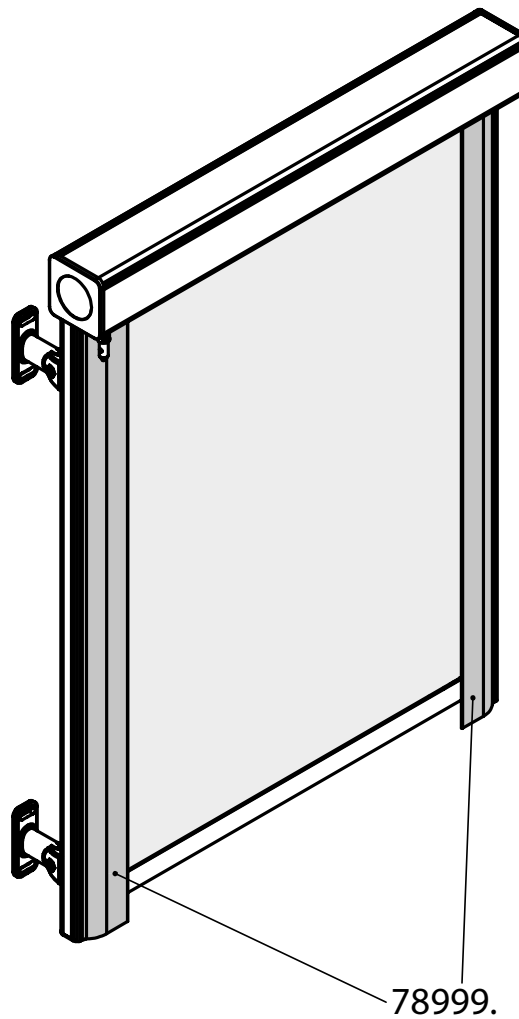


* from a unit height of 301 cm, 3 brackets per track

Individual bracket combinations – see “Fixtures, fittings and accessories”. Please note the minimum quantity required for the width and unit height you intend to order!

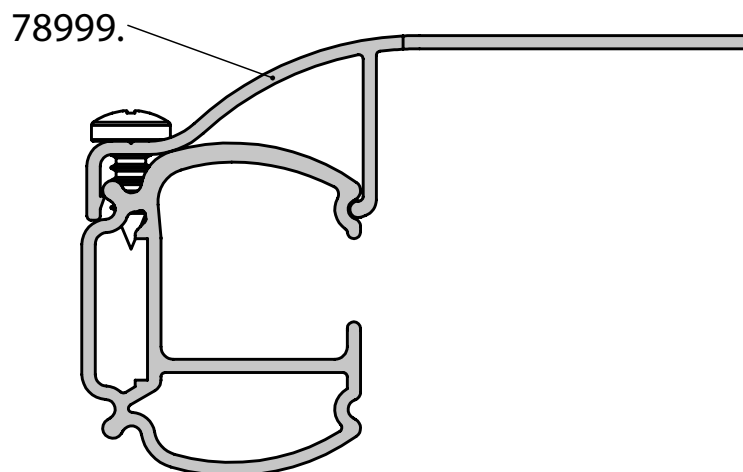
Fitting of the gap cover profile to block the gap between cover and tracks (optional)

Example in the case of the square cassette



dimensions in mm

Cross section of gap cover profile



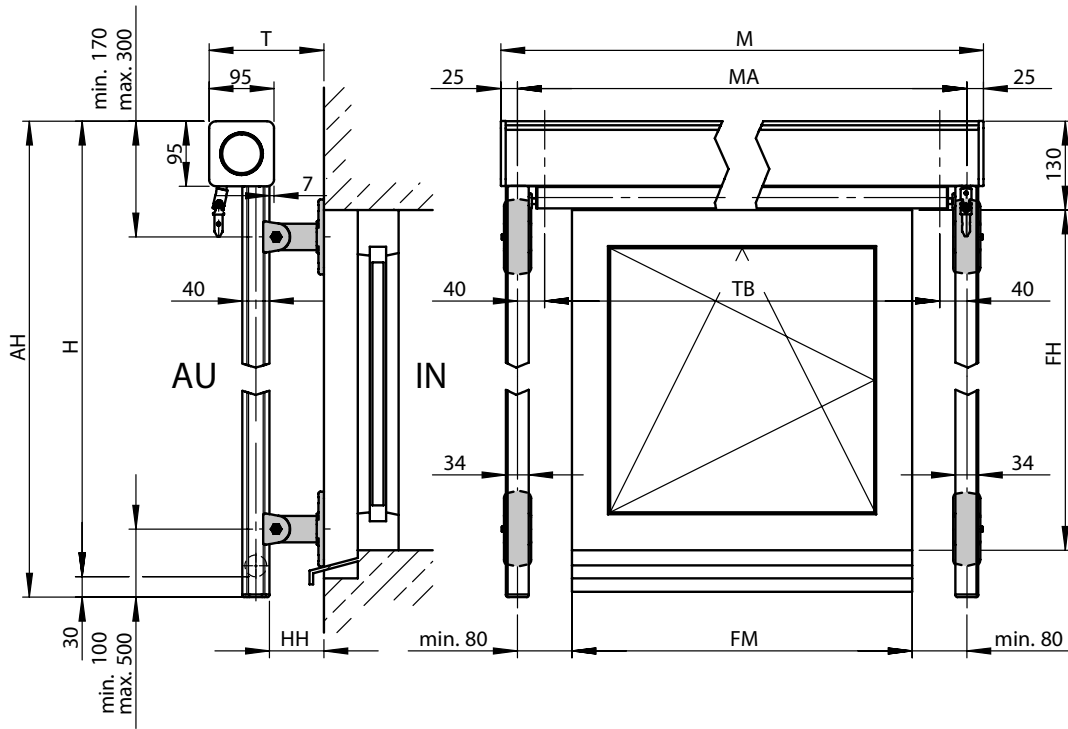
dimensions in mm

78999. = gap cover profile

- 01
- 02
- 03
- 04
- 05**
- 06
- 07
- 08
- 09
- 10
- 11
- 12
- 13
- 14
- 15
- 16
- 17
- 18
- 19
- 20
- 21

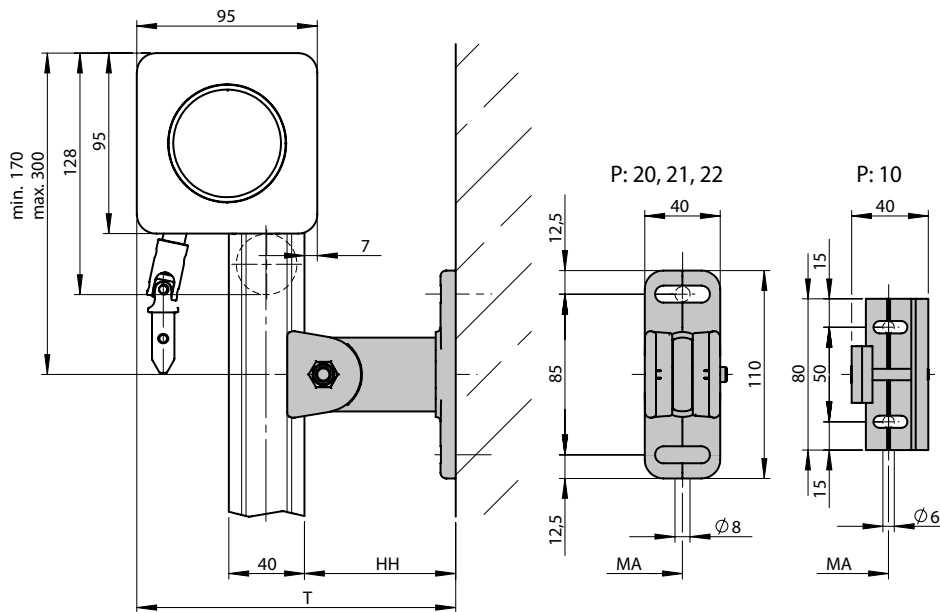
Installation markilux 725

Dimension overview



dimensions in mm

Face fixture



P	10	20	21	22
HT	78548.	78451.	78538.	78539.
HH	15 mm	80 mm	100 mm	140 mm
T	103 mm	168 mm	188 mm	288 mm

dimensions in mm

AH = unit height

H = drop

T = depth

M = overall blind width

MA = blind fixture width = blind width between fixture points

TB = cover width

AU = exterior

IN = interior

HH = fixture bracket height

FH = façade height

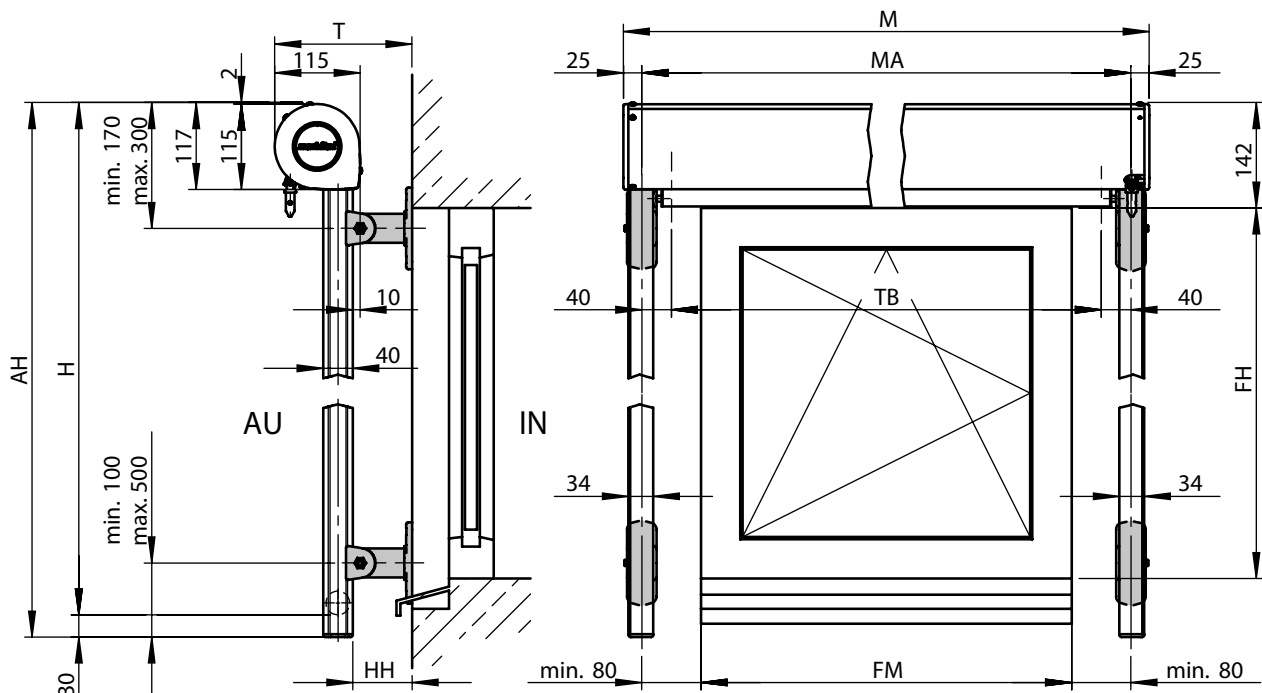
FM = façade width

HT = fixture bracket

P = fixture type

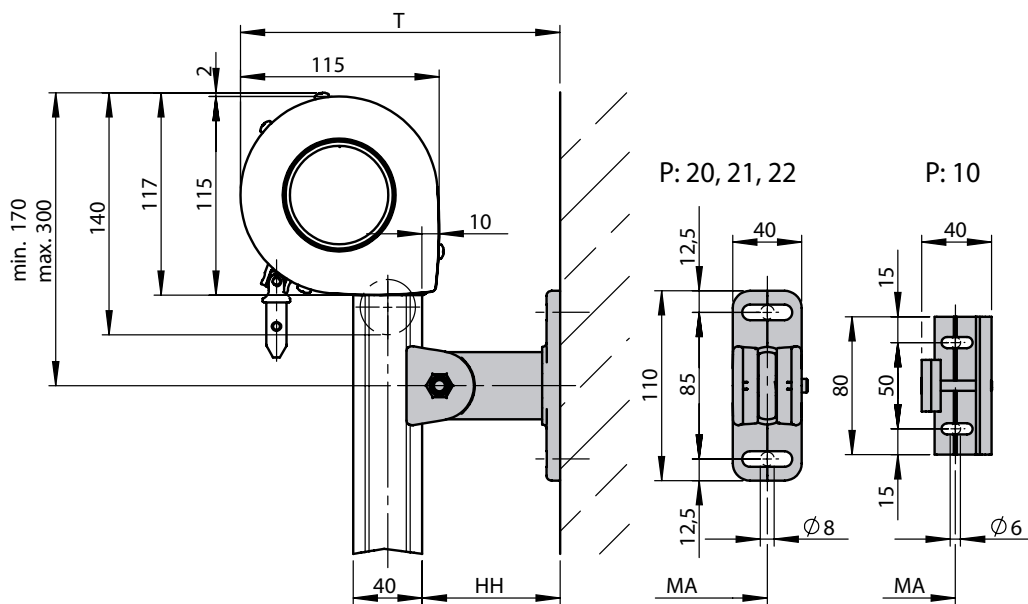
Installation markilux 825

Dimension overview



dimensions in mm

Face fixture



P	10	20	21	22
HT	78548.	78451.	78538.	78539.
HH	15 mm	80 mm	100 mm	140 mm
T	120 mm	185 mm	205mm	245 mm

AH = unit height

H = drop

T = depth

M = overall blind width

MA = blind fixture width = blind width between fixture points

TB = cover width

AU = exterior

IN = interior

HH = fixture bracket height

FH = façade height

FM = façade width

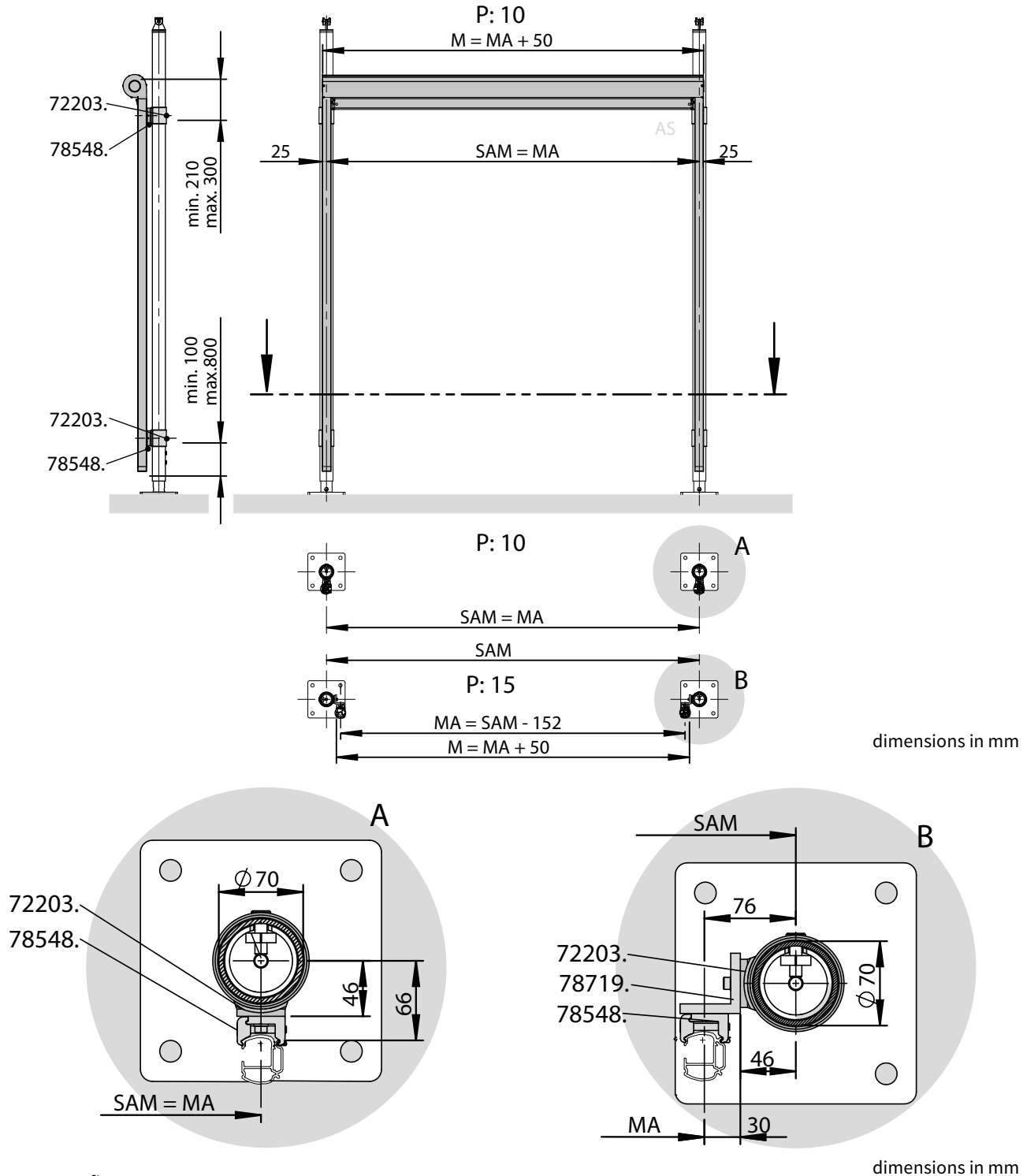
HT = fixture bracket

P = fixture type

dimensions in mm

Installation of the markilux 725 / 825 to the markilux pergola 110 / 210

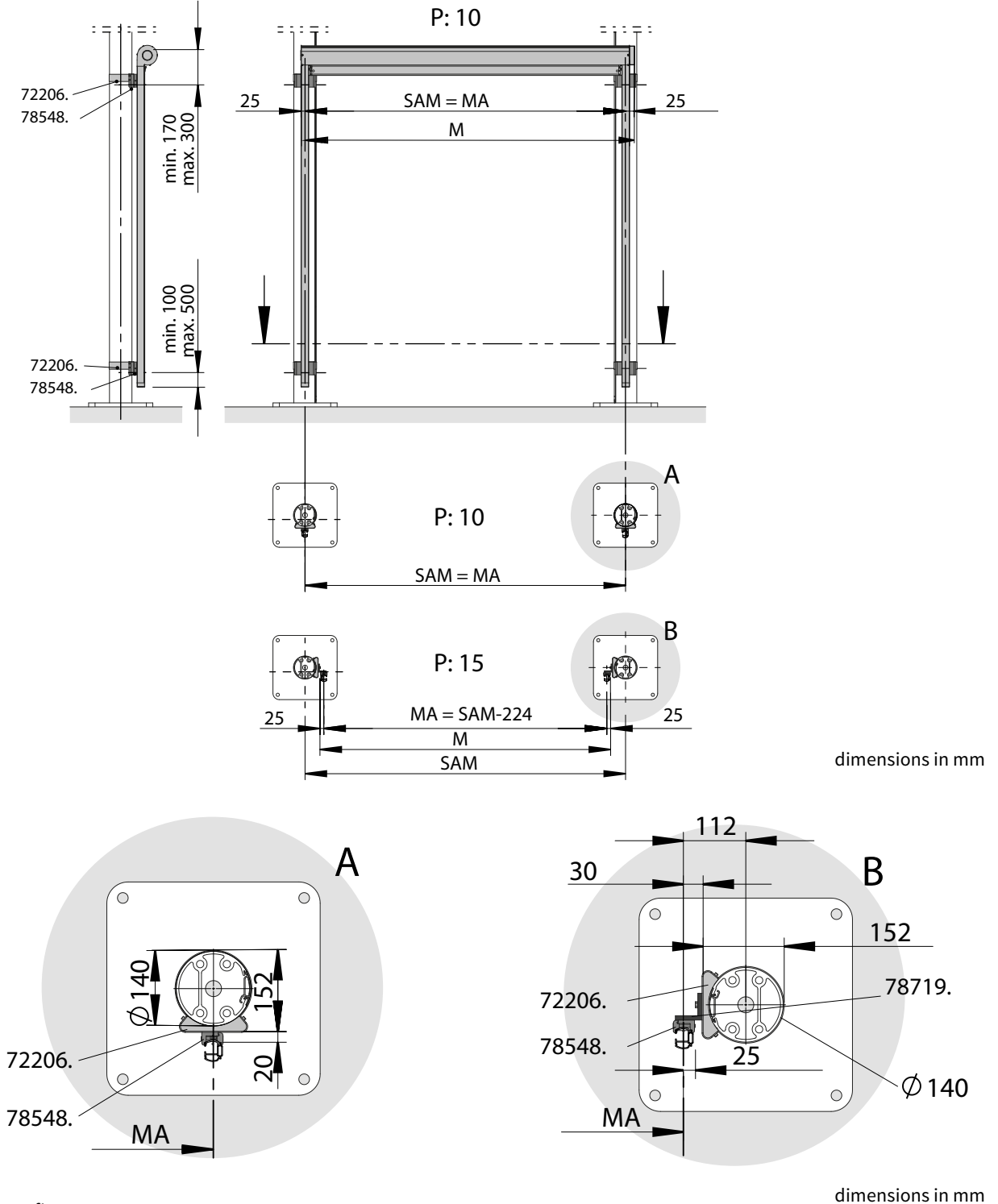
Dimension overview markilux 825



- P = fixture type
- A = detailed view, fixture type 10
- B = detailed view, fixture type 15
- MA = blind fixture width = fixture width = order width
- SAM = fixture width, support post markilux syncra 2
- M = overall blind width = MA + 50 mm
- 72203. = bracket assembly for fixture of flat track bracket, 78548. to the markilux pergola 110 / 210
- 78548. = flat track bracket (fixture type 10 and 15)
- 78719. = additional angle bracket, bearing / gearbox / motor side (fixture type 15)

Installation of the markilux 725 / 825 to the markilux syncra 2

Dimension overview markilux 825

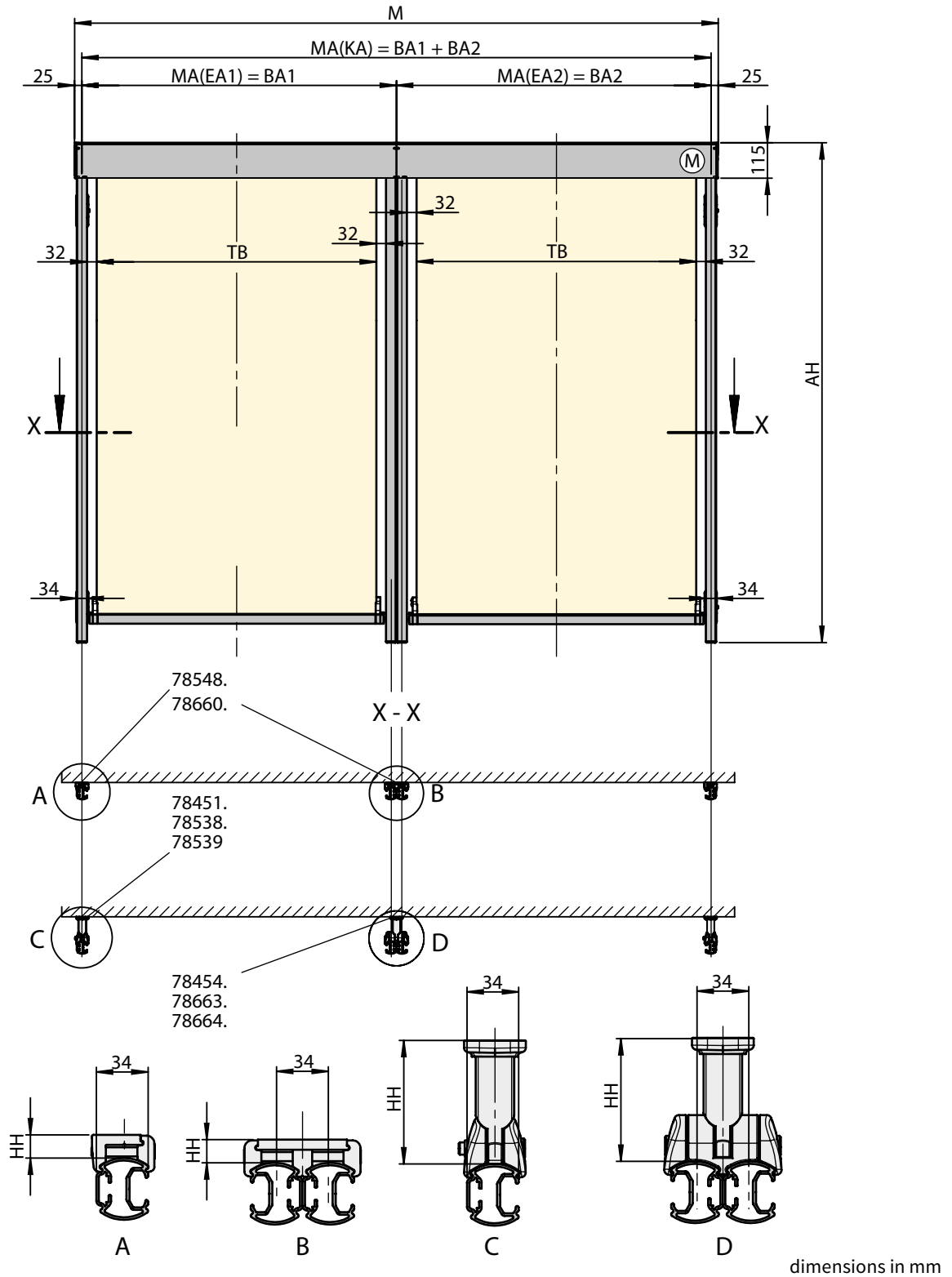


- P = fixture type
- A = detailed view, fixture type 10
- B = detailed view, fixture type 15
- MA = blind fixture width = fixture width = order width
- SAM = fixture width, support post markilux syncra 2
- M = overall blind width = MA + 50 mm
- 72206. = bracket assembly for fixture of flat track bracket, 78548. to the markilux syncra 2
- 78548. = flat track bracket (fixture type 10 and 15)
- 78719. = additional angle bracket, bearing / gearbox / motor side (fixture type 15)

- 01
- 02
- 03
- 04
- 05**
- 06
- 07
- 08
- 09
- 10
- 11
- 12
- 13
- 14
- 15
- 16
- 17
- 18
- 19
- 20
- 21

Dimension overview, coupled units

Coupled unit 2 fields, 1 motor



dimensions in mm

- MA (EA1) = BA1 = blind fixture width, unit 1 = order width, unit 1
- MA (EA2) = BA2 = blind fixture width, unit 2 = order width, unit 2
- MA (KA) = BA1 + BA2 = blind fixture width, coupled unit = order width, coupled unit
- M = overall blind width
- MA = blind fixture width

- EA = single unit
- KA = coupled unit
- FW = order size
- TB = cover width
- Ⓜ = motor operation