



markilux 770 tracfix

**The square-shaped conservatory awning
for medium-sized areas.**

Well-designed, strong, functional



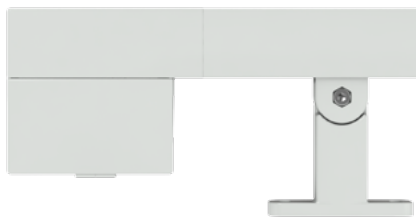
reddot design award
winner 2017

markilux.com

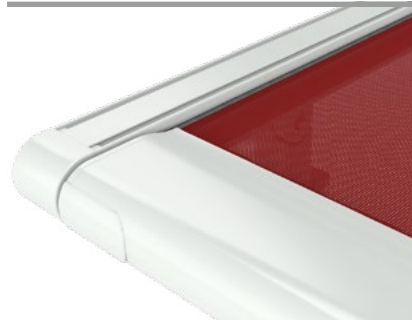
markilux
safe timeless beautiful

01 **Special features**

02



Side view



The front profile finishes completely flush with the guide tracks when fully extended

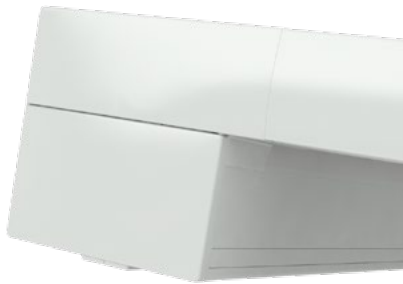
03

04

05

06

07



Beautifully crafted, square aluminium cassette



With tracfix, without gap between cover and guide track

08

09

10

11

12

13 **Design Features**

14 beautifully crafted, square aluminium cassette

15 the square cassette and square guide tracks are harmonising perfectly

when fully extended the rounded front profile harmonises perfectly with the ends of the lateral guide tracks

The panel joints of the awning cover are ultrasonically bonded – giving an improved appearance without any stitching

When retracted, the cover is protected from the weather by the cassette, which encloses it completely

Technical Specification

permanently high cover tension is achieved by way of two special gas-piston mechanisms in the front profile

Due to the particularly stable construction, large areas of up to 16 m² can be shaded with one system

brackets with patented clip-on mechanism for simple, problem-free installation

tracfix system – attractive, completely closed appearance with no annoying gap between the awning cover and the tracks

hard-wired motor drive (optionally with automatic weather sensors) for straight-forward operation by means of a wall switch

Accessories

to simplify installation, a broad selection of brackets is available

radio-controlled motor with radio remote control for ease of use

awning available in non-standard RAL colours

an easily installed, radio control light and wind sensor guarantees comfort and a degree of safety – even in your absence

Frame colours



traffic white
RAL 9016



metallic aluminium
RAL 9006



off-white
textured finish
5233



stone grey metallic
5215



anthracite metallic
5204



Havana brown textured
finish
5229



grey brown
similar to RAL 8019

- 01
- 02
- 03**
- 04
- 05
- 06
- 07
- 08
- 09
- 10
- 11
- 12
- 13
- 14
- 15

Colours similar to those in the RAL chart. Colours may differ slightly from those depicted in both hue and finish.

01 Dimensions and configuration options

01
02
03
04
05
06
07
08
09
10
11
12
13
14
15

		150	200	250	300	350	400		
		60 150	151 200	201 250	251 300	301 350	351 400		
M		+ 5.4							
	150							60	70
	200								
	250								
	300							107 ²⁾	107 ²⁾
	350								
	400				1)	1)	1)		

= (if the cover requires a support wire, 3 track brackets)

=

dimensions in cm

- 1) 1 cover support tube
- 2) from an extension of 281 cm

Operation / drive unit

	standard	optional
motor	<input checked="" type="checkbox"/>	—
radio-controlled motor (433 MHz)	—	<input checked="" type="checkbox"/>
Radio-controlled motor io	—	<input checked="" type="checkbox"/>

Frame colours

		standard	optional
traffic white	RAL 9016		
metallic aluminium	RAL 9006		
grey brown	similar to RAL 8019		
off-white textured finish*	5233		
stone grey metallic*	5215		
anthracite metallic*	5204		
Havana brown textured finish*	5229		
non-standard powder-coated finish			

* = textured finish

= motor

= radio-controlled motor (433 MHz)

= no. of brackets per track

MA = awning fixture width
MA min. = minimum fixture width
M = overall width
H = extension

Additional information

The width of the awning cover is always **less** than that of the awning.

Fixture / order width definition: The order width is the awning fixture width i.e. the measurement from fixture point to fixture point underneath the glass canopy. The overall width is larger than the fixture width (see matrix). The tolerance in the width is + 5 mm / - 10 mm.

Definition of extension: The stated extension **H** is measured from the rear edge of the cassette to front edge of the guide track.

This model is **only available as a single unit.**

Definition of operating side: the operating side is always given as if seen from the outside looking towards the cassette (right or left).

N.B! If the **motor is used continuously** it will **stop automatically** after 3 to 4 minutes **to prevent overheating.**

The **rate of extension** with either a hard-wired or a radio-controlled motor is approximately 14 seconds per metre.

Due to its own weight a certain amount of sag in the cover is possible.

Depending on the size of the blind, deflection may be in evidence in individual profiles and sections of profile which is completely unavoidable. Neither phenomenon has any negative effect on the function or operation of the awning if it has been fitted correctly.

Covers

	fabric range no.	standard	optional
sunsilk snc	324 .. / 328 .. / 369 ..	<input checked="" type="checkbox"/> 1)	—
sunvas snc	310 .. / 311 .. 313 .. — 315 ..	<input checked="" type="checkbox"/> 1)	—
transolair	338 ..	—	<input checked="" type="checkbox"/> 2)
perfortex ALU	332 ..	<input checked="" type="checkbox"/> 1)	—
Soltis 92		—	<input checked="" type="checkbox"/> 3)
vuscreen ALU	317 ..	—	<input checked="" type="checkbox"/> 1)2)

- 1) Acc. size range – design with vertical seams
- 2) Acc. size range – design with horizontal seam; depending on size
- 3) Max. extension 300 cm; horizontal seam when axis dimension ≥ 186 cm AND system height ≥ 195 cm

Miscellaneous

	standard	optional
tracfix	<input checked="" type="checkbox"/>	—
light sensor	—	<input checked="" type="checkbox"/>

Dimensions and tolerances

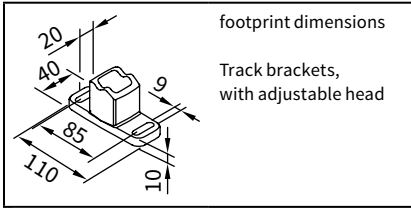
	width	nominal projection
housing tolerances	+5 / -10 mm	—
awning cover width	on request	
awning cover length	on request	

01
02
03
04
05
06
07
08
09
10
11
12
13
14
15

01 **Fixture options**

02

03



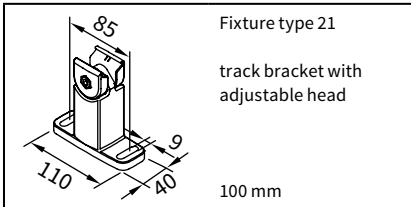
footprint dimensions
Track brackets,
with adjustable head

04

05

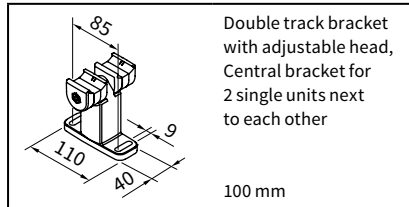
06

Fixture type 21



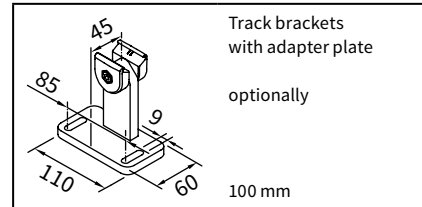
Fixture type 21
track bracket with
adjustable head
100 mm

76046.



Double track bracket
with adjustable head,
Central bracket for
2 single units next
to each other
100 mm

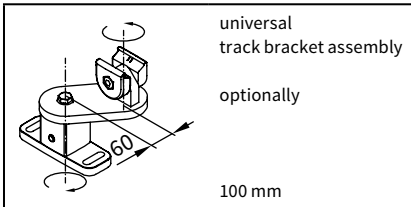
73634.



Track brackets
with adapter plate
optionally
100 mm

76199.

10



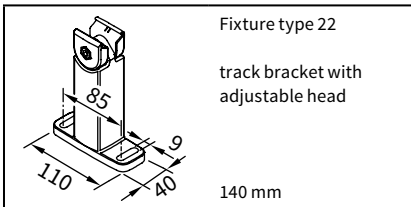
universal
track bracket assembly
optionally
100 mm

76054.

13

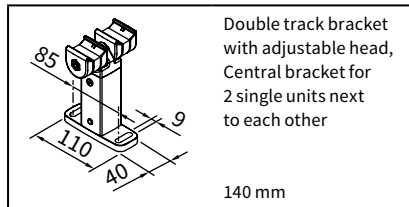
14

Fixture type 22



Fixture type 22
track bracket with
adjustable head
140 mm

76048.

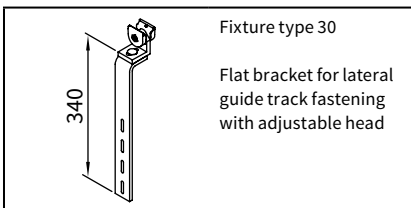


Double track bracket
with adjustable head,
Central bracket for
2 single units next
to each other
140 mm

73636.

15

Fixture type 30



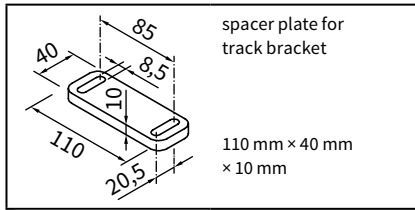
Fixture type 30
Flat bracket for lateral
guide track fastening
with adjustable head

76049.

. = insert RAL colour code no.

Additional fixtures and accessories

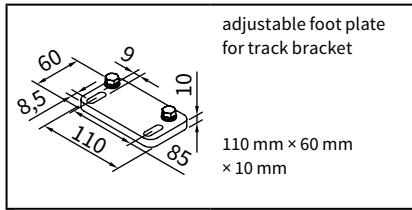
01
02
03
04
05
06
07
08
09
10
11
12
13
14
15



spacer plate for track bracket

110 mm × 40 mm × 10 mm

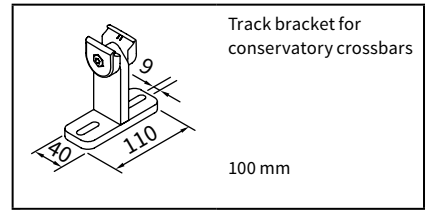
78570.



adjustable foot plate for track bracket

110 mm × 60 mm × 10 mm

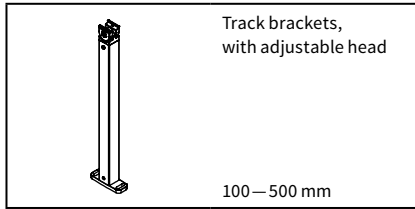
78165.



Track bracket for conservatory crossbars

100 mm

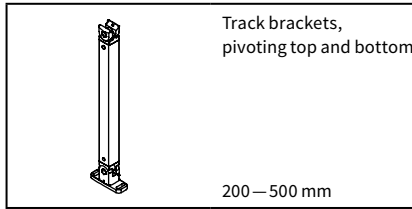
76055.



Track brackets, with adjustable head

100 – 500 mm

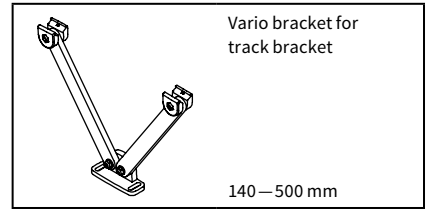
76047.



Track brackets, pivoting top and bottom

200 – 500 mm

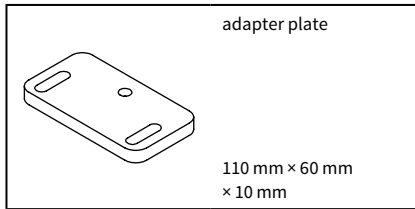
76045.



Vario bracket for track bracket

140 – 500 mm

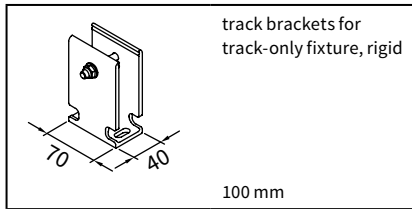
76052.



adapter plate

110 mm × 60 mm × 10 mm

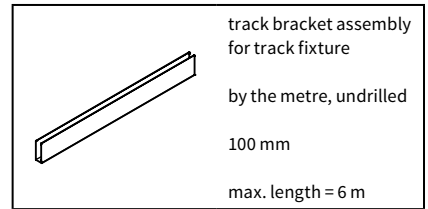
78158.



track brackets for track-only fixture, rigid

100 mm

76017.



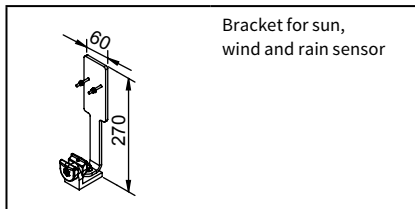
track bracket assembly for track fixture

by the metre, undrilled

100 mm

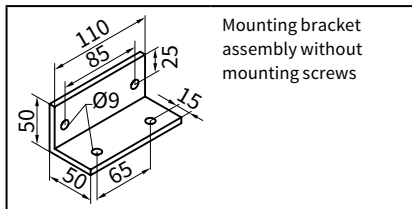
max. length = 6 m

76013.



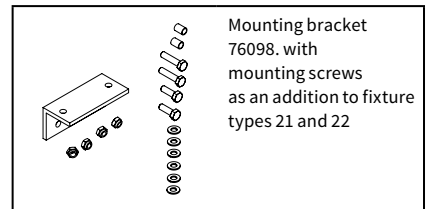
Bracket for sun, wind and rain sensor

76050.



Mounting bracket assembly without mounting screws

76098.



Mounting bracket 76098. with mounting screws as an addition to fixture types 21 and 22

76099.

. = insert RAL colour code no.

01 **Fixture combinations**

02

03

Fixture type
21

04

05

06

07

Fixture type
22

08

09

10

11

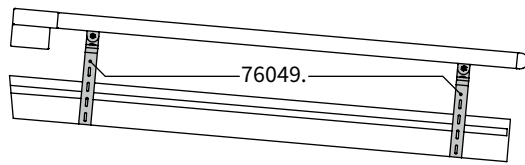
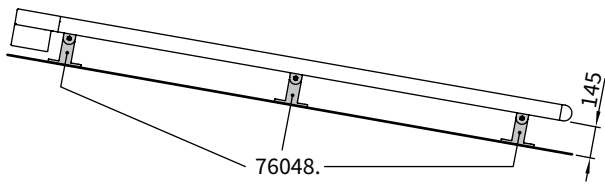
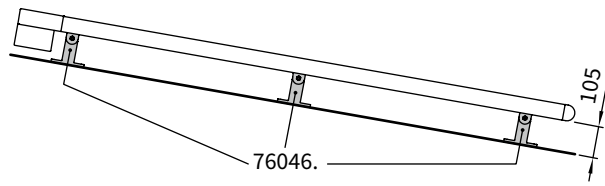
Fixture type
30

12

13

14

15

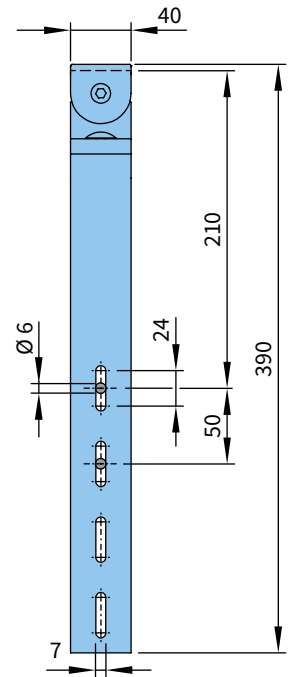
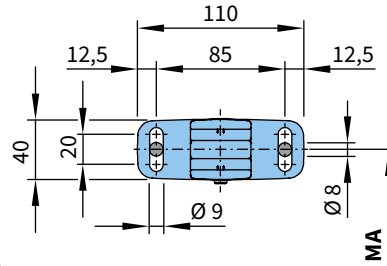
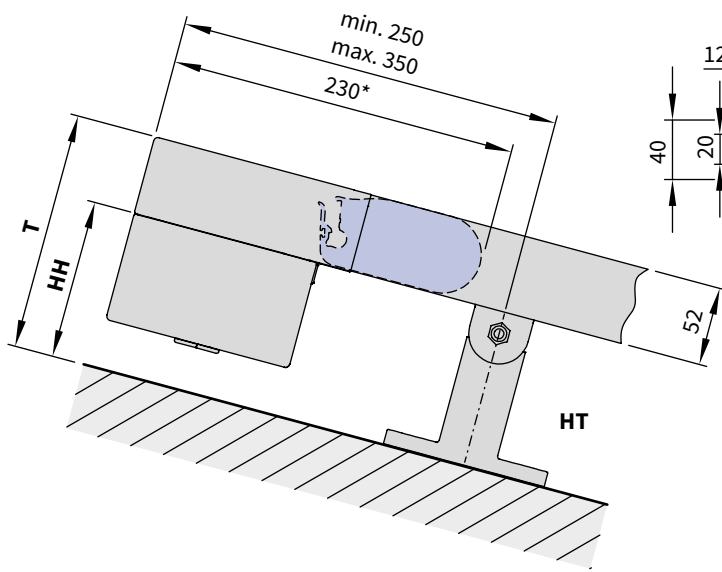


- Number of brackets per track see "dimensions and equipment options"
- Individual bracket combinations: see "Fixtures and accessories"
- Please note the minimum quantity in accordance with the width and unit height (2 to 3 brackets per guide track, depending on size)
- The cover may sag during extension and retraction

Dimension overview

Fixture types 21, 22

Fixture type 30

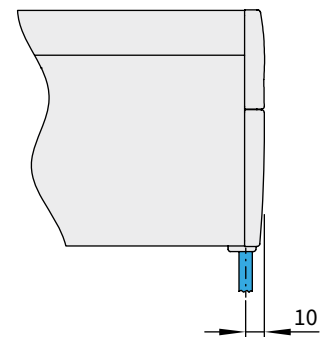
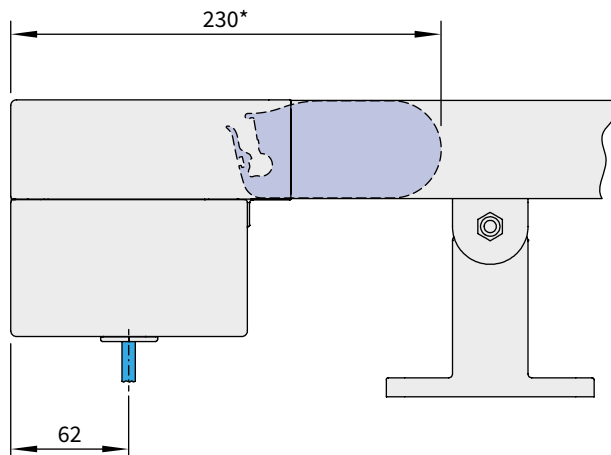


dimensions in mm

Fixture type	21	22	30
HT = bracket	76046.	76048.	76049.
HH = bracket height [mm]	105	145	approx. 195—335
T = depth [mm]	157	197	approx. 247—387
MA = blind width / fixture width			
* = dimension with the blind retracted			

Installation dimensions

Cable exit point in the case of motor-driven units



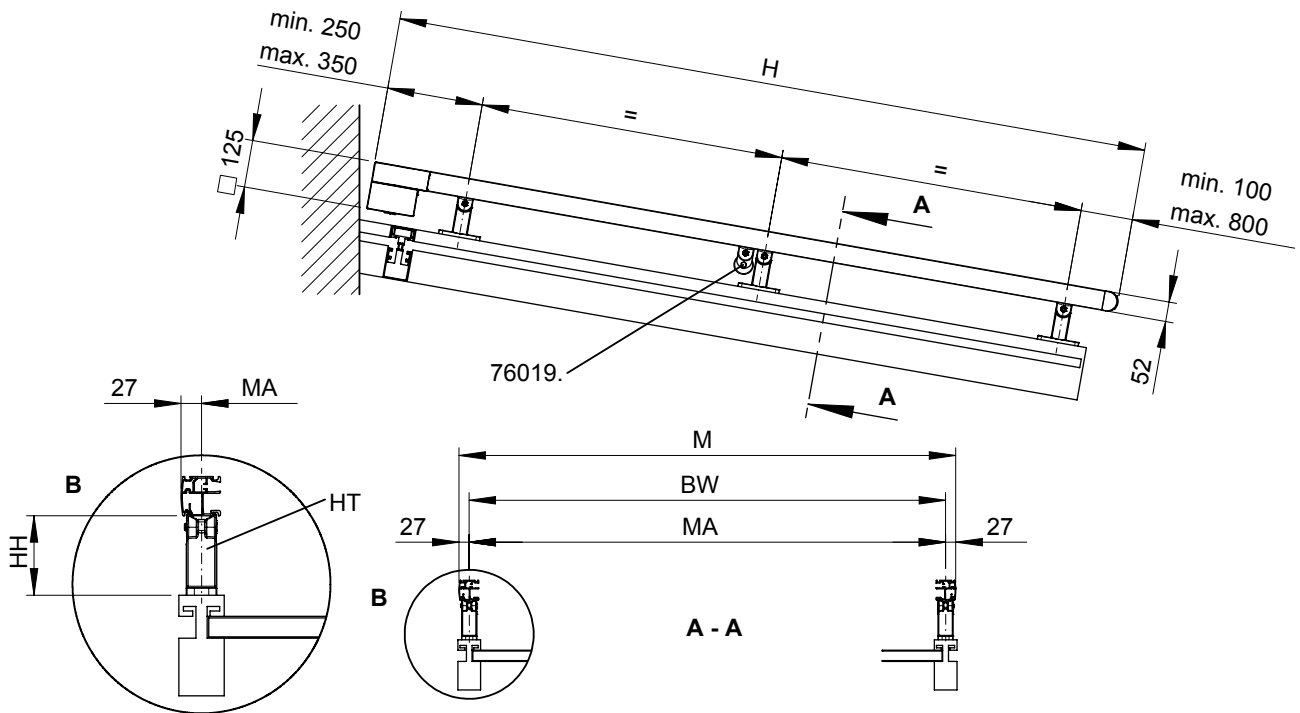
* = front profile when awning is retracted

dimensions in mm

01 **Installation dimensions**

02 **Fixture type 21 (stand-off installation 105 mm)**

03



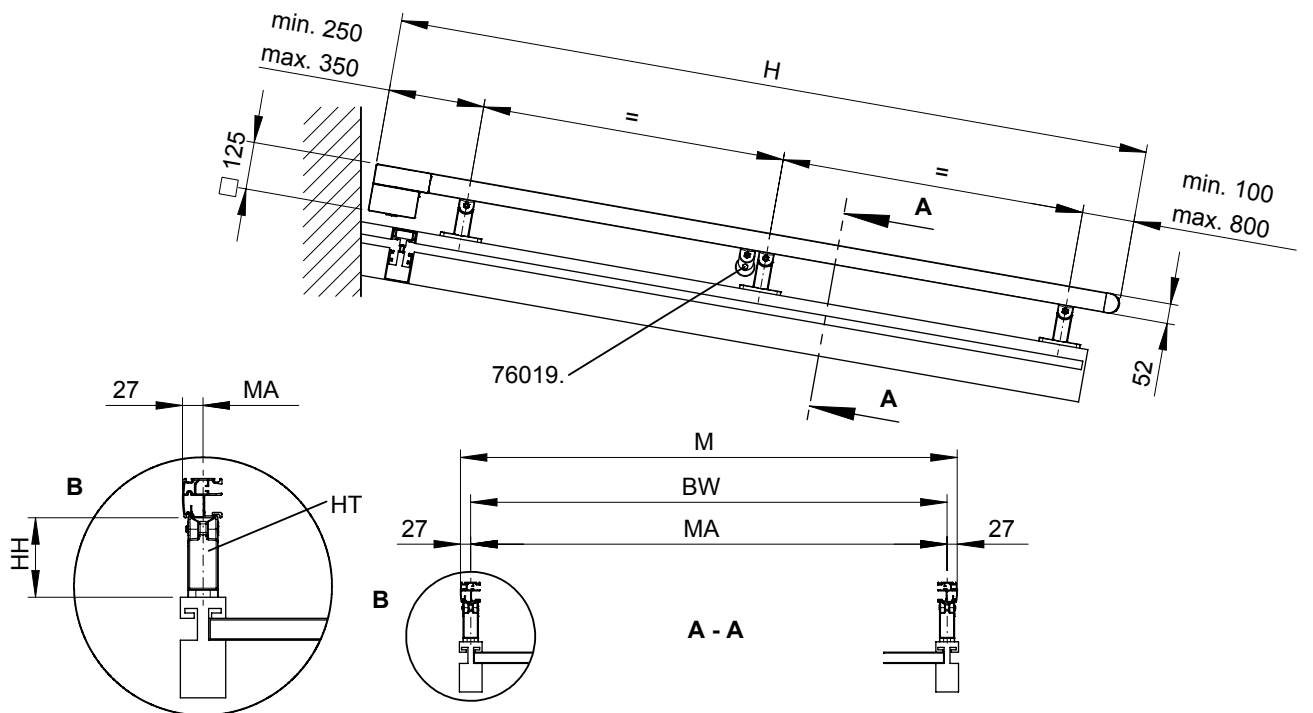
dimensions in mm

04
05
06
07
08
09
10
11
12
13
14
15

- 76019.** = bracket for cover support tube
- BW** = width between fixture points on the conservatory
- H** = nominal extension = **order extension**
- HH** = bracket height = 105 mm
- HT** = bracket
- M** = overall awning width
- MA** = awning fixture width = fixture width = **order width**

Installation dimensions

Fixture type 22 (stand-off installation 145 mm)



dimensions in mm

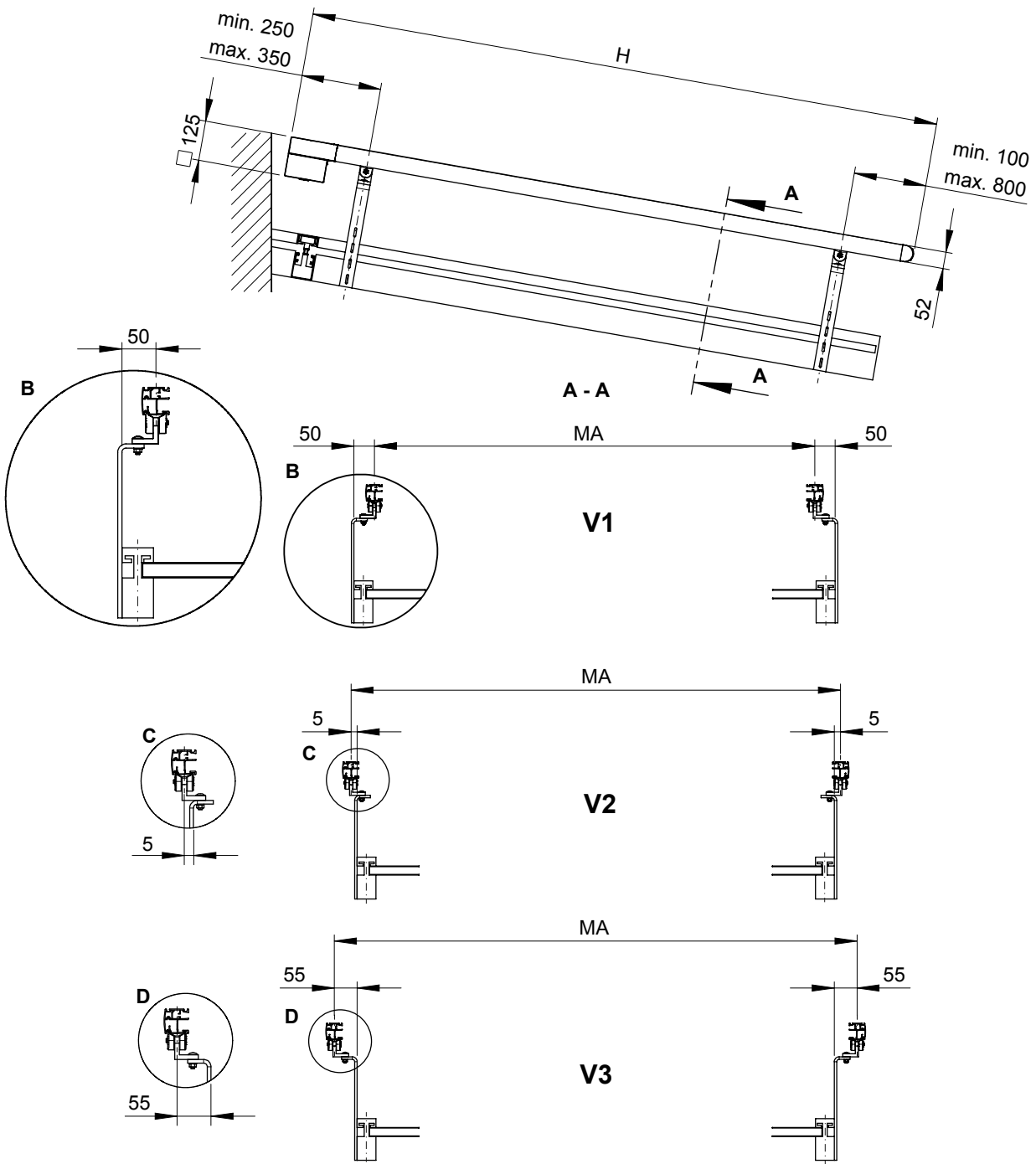
- 76019.** = bracket for cover support tube
- BW** = width between fixture points on the conservatory
- H** = nominal extension = **order extension**
- HH** = bracket height = 145 mm
- HT** = bracket
- M** = overall awning width
- MA** = awning fixture width = fixture width = **order width**

01
02
03
04
05
06
07
08
09
10
11
12
13
14
15

01 **Installation dimensions**

02 **Fixture type 30 (stand-off installation approx. 195 – 335 mm)**

03

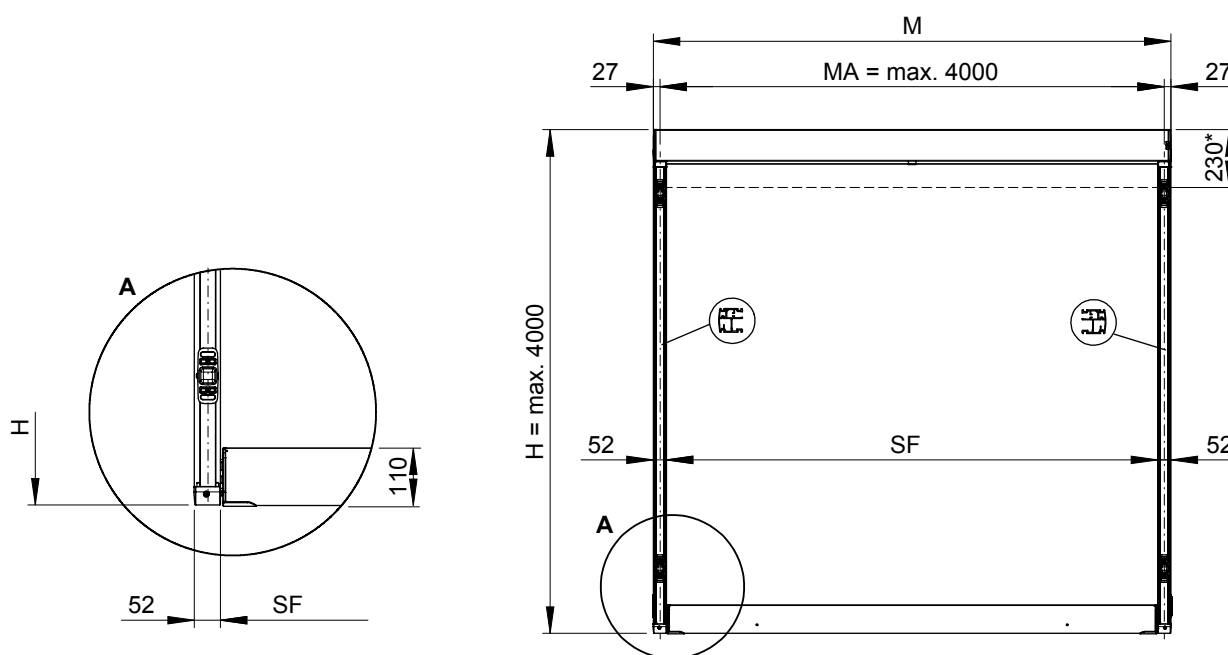


dimensions in mm

- BW** = width between fixture points on the conservatory
- H** = nominal extension = **order extension**
- MA** = awning fixture width = fixture width = **order width**
- V** = version

Dimension overview

Single unit, 1 motor



dimensions in mm

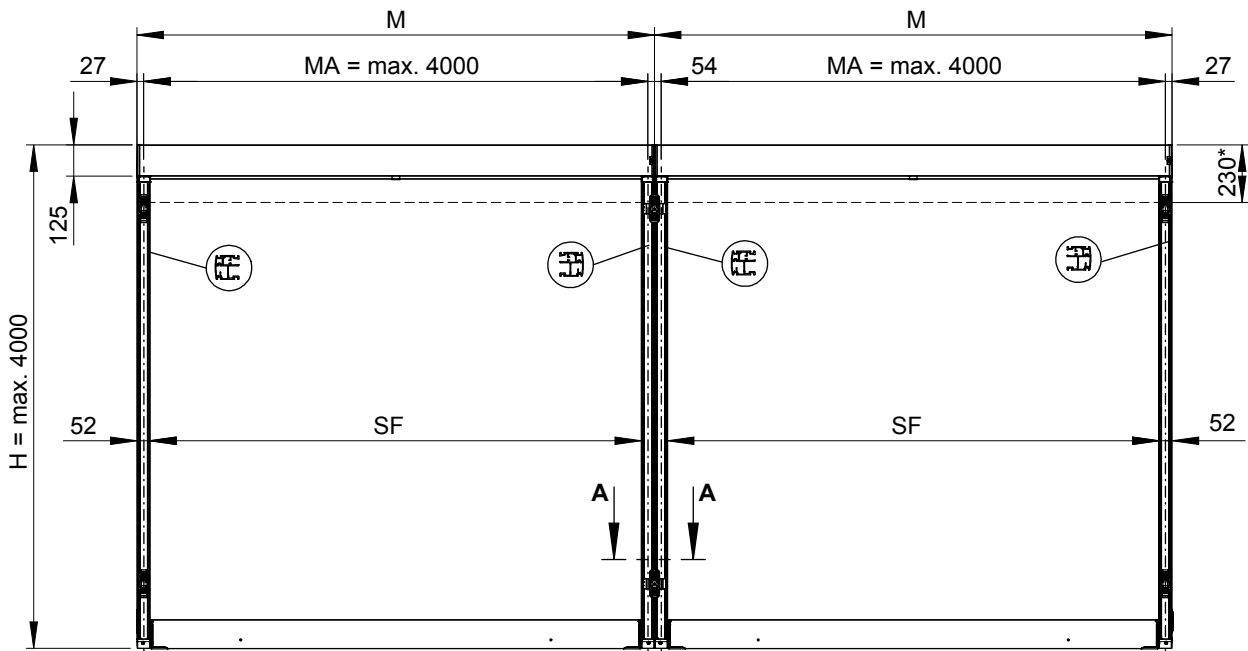
- H** = nominal extension = **order extension**
- M** = overall awning width
- MA** = awning fixture width = fixture width = **order width**
- SF** = visible surface of cover with tracfix
- HH** = bracket height
- *** = front profile when awning is retracted

01
02
03
04
05
06
07
08
09
10
11
12
13
14
15

01 **Dimension overview**

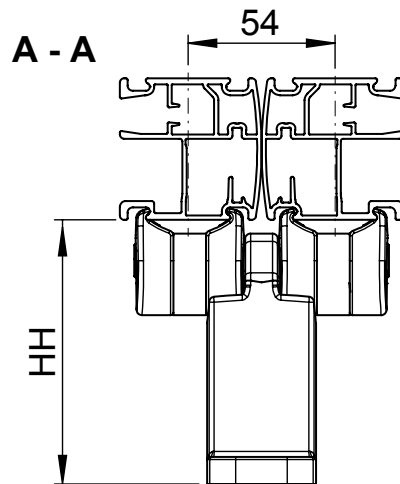
02 **2 single units, 2 motors**

03



dimensions in mm

Centre double track bracket



- H** = nominal extension = **order extension**
- M** = overall awning width
- MA** = awning fixture width = fixture width = **order width**
- SF** = visible surface of cover with tracfix
- HH** = bracket height
- *** = front profile when awning is retracted