



Rated to wind resistance class 2 or 3
(depending on the dimensions)
corresponds to Beaufort force 5 or 6

markilux 879 / 879 tracfix

Form and Function in Perfect Harmony – the underglass awning for large surface areas. Ingeniously designed – shades the area under your glass canopy perfectly



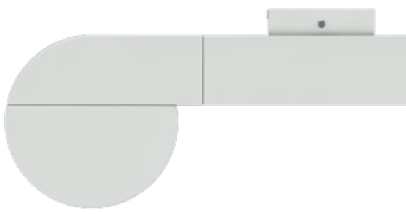
reddot design award
winner 2017

markilux.com

markilux
safe timeless beautiful

01 **Special features**

02



side view
motor-operated unit



the front profile finishes flush with the guide tracks when fully extended

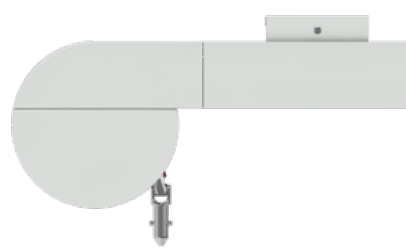
03

04

05

06

07



side view
manual operation



units with the optional tracfix system have no annoying gap between the cover and the guide track

08

09

10

11

12

13

Design Features

beautifully crafted, round aluminium cassette

the round cassette and square guide tracks harmonise perfectly

when fully extended the rounded front profile harmonises perfectly with the ends of the lateral guide tracks

the panel joints of the awning cover are ultrasonically bonded – giving an improved appearance without bothersome stitching

when retracted the cover is protected from the weather by the cassette, which encloses it completely

Technical Specification

permanently high cover tension is achieved by way of two special gas-piston mechanisms in the front profile

the extremely sturdy awning construction makes it possible to shade large areas of up to 24 m² safely

brackets with patented clip-on mechanism for simple, problem-free installation

manual operation by way of a markilux stainless steel winding handle (not available in tracfix units)

to simplify installation, a broad selection of brackets is available

Accessories

tracfix system – attractive, completely closed appearance with no annoying gap between the blind cover and the tracks

hard-wired motor drive (optionally with automatic weather sensors) for straight-forward operation by means of a wall switch

radio-controlled motor with radio remote control for ease of use

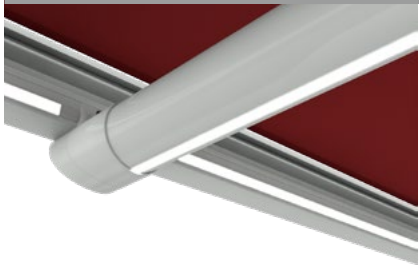
awning available in non-standard RAL colours

various lighting choices are optionally available in energy-saving LED technology and create an engaging atmosphere:

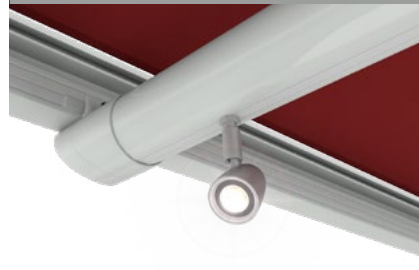
- LED line in the lateral guide tracks
- LED line in the cover support tube
- LED spots in the cover support tube

Lighting options

01



LED line in the guide tracks and cover support tube



LED spotlights in the cover support tube

02

03

04

05

06



LED line in the guide tracks with cover support by way of a stainless steel wire

view from inside



LED line in the guide tracks with cover support by way of a stainless steel wire

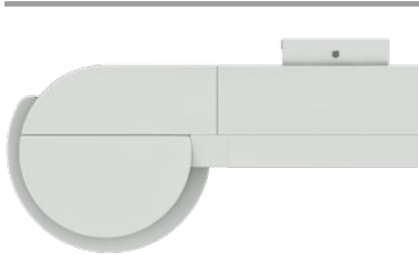
view from outside

07

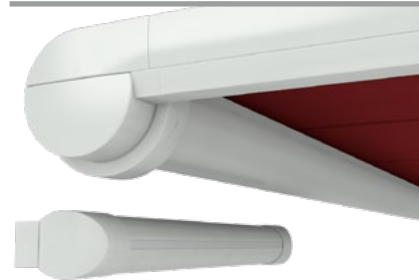
08

09

10



clever and attractive power supply solution if lighting is fitted



if lighting is fitted without the necessity for a cover support tube, the electronic components are hidden away in an E-box

11

12

13

14

15

01 **Frame colours**

02

03

04

05

06

07

08

09

10

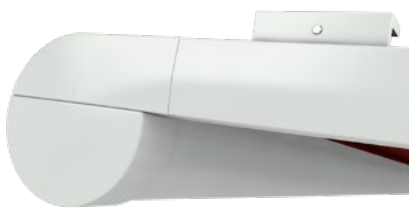
11

12

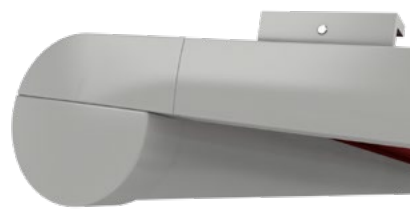
13

14

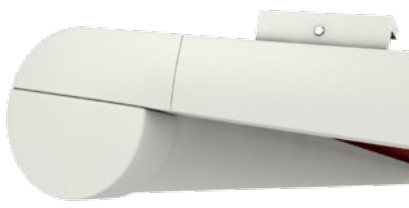
15



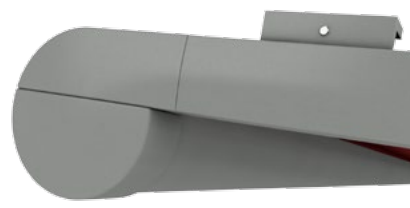
traffic white
RAL 9016



metallic aluminium
RAL 9006



off-white textured finish
5233



stone grey metallic
5215



anthracite metallic
5204



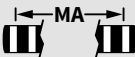



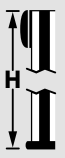
Havana brown
textured finish
5229



grey brown, similar
to RAL 8019

Colours similar to those in the RAL chart. Colours may differ slightly from those depicted in both hue and finish.

Dimensions and configuration options

													
		150	200	250	300	350	400	450	500	550	600		
		60 150	151 200	201 250	251 300	301 350	351 400	401 450	451 500	501 550	551 600		
M		+ 5,4											
	150 ¹⁾											60 / 67 ¹⁾	70 / 76 ¹⁾
	200 ¹⁾												
	250 ¹⁾										2)		
	300 ¹⁾								2)	2)	2)	107 ³⁾	107 ³⁾
	350 ¹⁾						2)	2)	2)	2)	2)		
	400 ¹⁾	2)	2)	2)	2)	2)	2)	2)	2)	2)	2)		
	450	2)	2)	2)	2)	2)	2)	2)	2)	2)	2)		
	500	2)	2)	2)	2)	2)	2)	—	—	—	—		
	550	2)	2)	2)	2)	2)	2)	—	—	—	—		
600	2)	2)	2)	2)	2)	2)	—	—	—	—			

 = 
  = 
  =  1 cover supports consisting of a stainless steel wire

dimensions in cm









- 1) tracfix (optional). **tracfix awnings** are **only available with motor**
- 2) these sizes meet wind resistance class 2,
all sizes that have not been marked in this way meet wind resistance class 3
- 3) from an extension of 281 cm

Operation / Drive unit

	Standard	Optional
manual operation	<input checked="" type="checkbox"/> ⁵⁾	—
hard-wired motor	<input checked="" type="checkbox"/> ⁶⁾	<input checked="" type="checkbox"/>
radio-controlled motor (433 MHz)	—	<input checked="" type="checkbox"/>
io Radio control	—	<input checked="" type="checkbox"/>

- 5) not available in tracfix units
- 6) in tracfix units


Frame colours


	Standard	Optional
traffic white RAL 9016		
metallic aluminium RAL 9006		
grey brown similar to RAL 8019		
off-white textured finish* 5233		
stone grey metallic* 5215		
anthracite metallic* 5204		
Havana brown textured finish* 5229		
non-standard powder-coated finish		


* = textured finish

Radio-controlled LED lighting

	Radio RTS (433 MHz)	Radio io (868 MHz)
LED spotlights	on / off / dimmable	on / off / dimmable
LED line	standard	optional

 = motor

 = radio-controlled motor (433 MHz)

 = no. of brackets per track

MA = awning fixture width

MA min. = minimum fixture width

M = overall width

H = extension

Additional Information

The width of the awning cover is always **less** than that of the awning.

Fixture / order width definition: The order width is the awning fixture width i.e. the measurement from fixture point to fixture point underneath the glass canopy. The overall width is larger than the fixture width (see matrix). The tolerance in the width is + 5 mm / - 10 mm.

Definition of the extension: The extension is measured from the back of the cassette to the leading edge of the guide track.

This model is only available as a **single unit**.

Definition of operating side: the operating side is always given as if seen from the outside looking towards the cassette (right or left).

N.B! If the **motor is used continuously** it will **stop automatically** after 3 to 4 minutes **to prevent overheating**.

The **rate of extension** with either a hard-wired or a radio-controlled motor is approximately 14 seconds per metre.

Due to its own weight a certain amount of sag in the cover is possible. Depending on the size of the awning, deflection may be in evidence in individual profiles and sections of profile which is completely unavoidable. Neither phenomenon has any negative effect on the function or operation of the awning if it has been fitted correctly.

Covers

	Fabric range no.	Standard	Optional
sunsilk snc	324 .. / 328 .. / 369 ..	<input checked="" type="checkbox"/> 1)	—
sunvas snc	310 .. / 311 .. 313 .. — 315 ..	<input checked="" type="checkbox"/> 1)	—
transolair	338 ..	—	<input checked="" type="checkbox"/> 2)
perfortex ALU	332 ..	<input checked="" type="checkbox"/> 3)	—
vuscreen ALU	317 ..	—	<input checked="" type="checkbox"/> 4)
Soltis 92		—	<input checked="" type="checkbox"/> 5)

- 1) without tracfix up to a max. extension of 450 cm (in tracfix units 400 cm) with vertical bonded seams
- 2) non-tracfix systems: available up to a fixture width of 400 cm, seamless up to an extension of 250cm, then with horizontal seam(s); tracfix systems: available in all tracfix sizes, seamless up to 400 cm x 250 cm, then with horizontal seam; from a fixture width of 401 cm in vertical panels approx. 122 cm wide
- 3) non-tracfix systems: available up to a maximum extension of 400 cm - then with vertical bonded seams; tracfix systems: available in all tracfix sizes, then with vertical bonded seams
- 4) up to a maximum fixture width of 400 cm and a maximum extension of 400 cm, depending on the width and unit extension with horizontal bonded seam; from a fixture width of 401 cm a max. extension of 250 cm is available (seamless)

Miscellaneous

	Standard	Optional
tracfix	—	<input checked="" type="checkbox"/>
light sensor	—	<input checked="" type="checkbox"/>

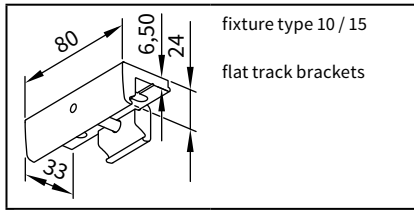
Dimensions and tolerances

	Width	Nominal extension
housing tolerances	+ 5 / - 10 mm	—
awning cover width	MA - 93 mm	
awning cover length	H - 70 mm	

- 5) seamless up to an extension of 170 cm, from 170 cm with horizontal seam(s)

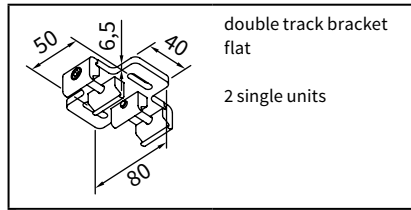
Fixtures, fittings and accessories

01
02
03
04
05
06
07
08
09
10
11
12
13
14
15



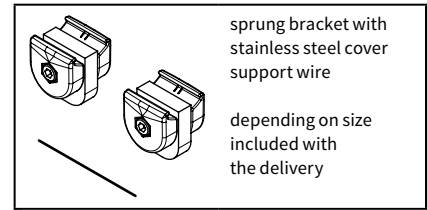
fixture type 10 / 15
flat track brackets

78548.



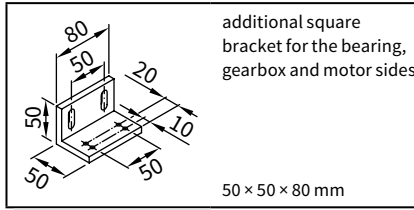
double track bracket
flat
2 single units

73627.



sprung bracket with
stainless steel cover
support wire
depending on size
included with
the delivery

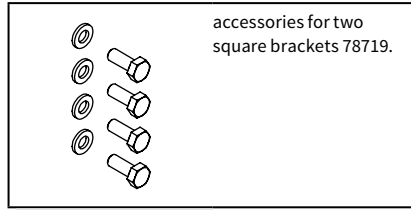
73639. und 771401



additional square
bracket for the bearing,
gearbox and motor sides

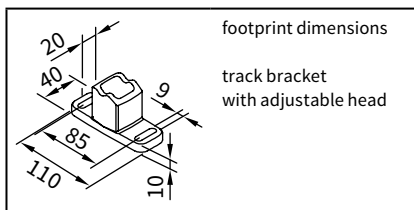
50 x 50 x 80 mm

78719.

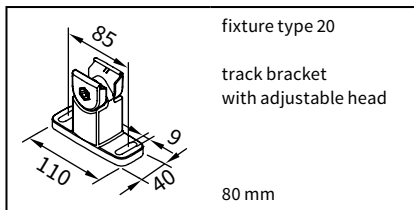


accessories for two
square brackets 78719.

787211



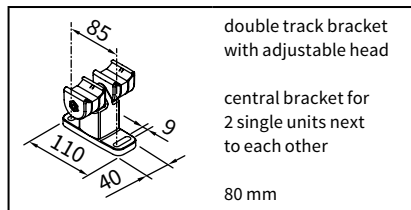
footprint dimensions
track bracket
with adjustable head



fixture type 20
track bracket
with adjustable head

80 mm

73624.

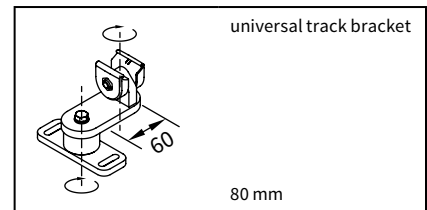


double track bracket
with adjustable head

central bracket for
2 single units next
to each other

80 mm

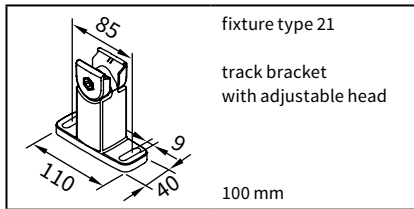
73631.



universal track bracket

80 mm

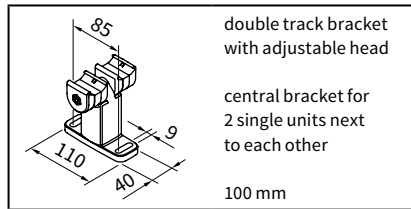
73629.



fixture type 21
track bracket
with adjustable head

100 mm

76046.

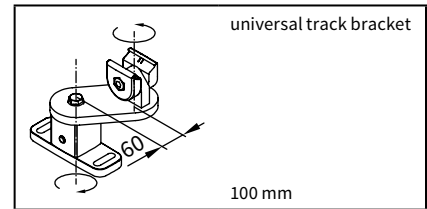


double track bracket
with adjustable head

central bracket for
2 single units next
to each other

100 mm

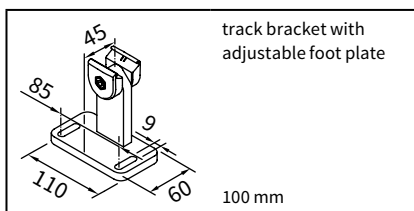
73634.



universal track bracket

100 mm

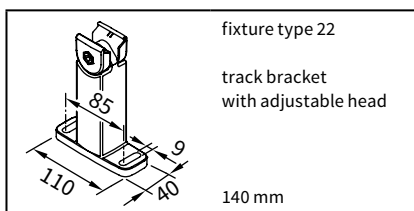
76054.



track bracket with
adjustable foot plate

100 mm

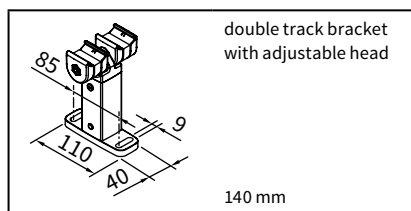
76199.



fixture type 22
track bracket
with adjustable head

140 mm

76048.



double track bracket
with adjustable head

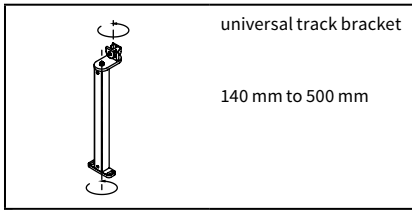
140 mm

73636.

. = insert RAL colour code no.

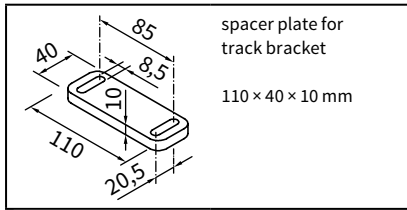
01
02
03
04
05
06
07
08
09
10
11
12
13
14
15

Accessories



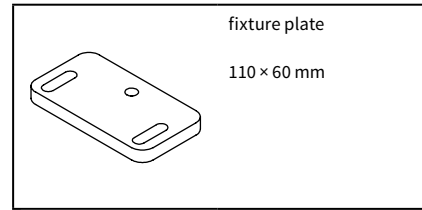
universal track bracket
140 mm to 500 mm

76053.



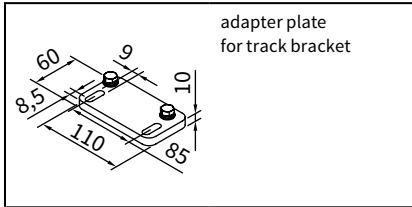
spacer plate for track bracket
110 × 40 × 10 mm

78570.



fixture plate
110 × 60 mm

78158.



adapter plate for track bracket

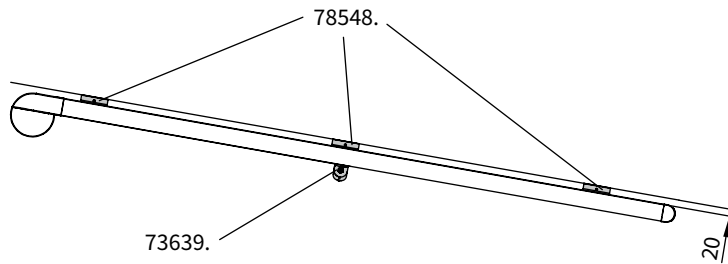
78165.

. = insert RAL colour code no.

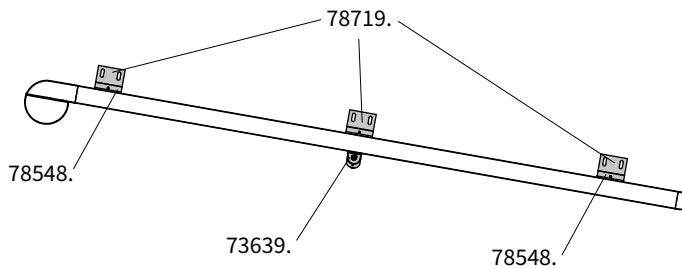
Fixture combinations

All brackets incur a surcharge

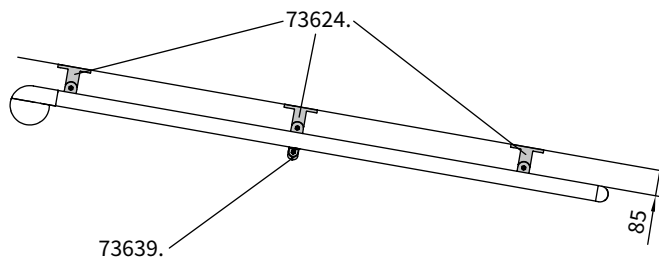
Fixture type
10



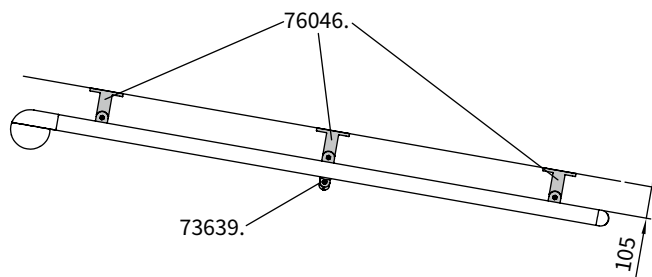
Fixture type
15



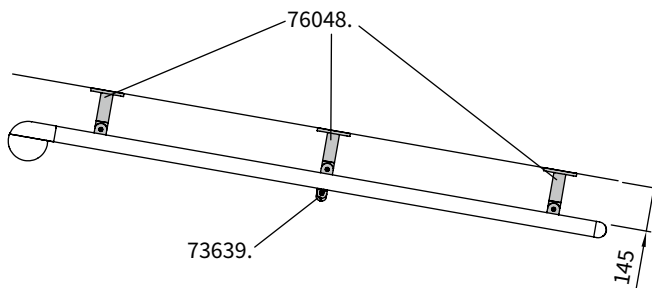
Fixture type
20



Fixture type
21



Fixture type
22

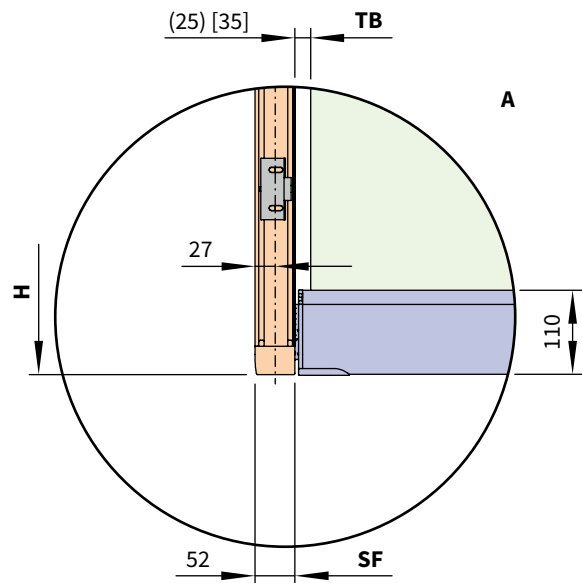
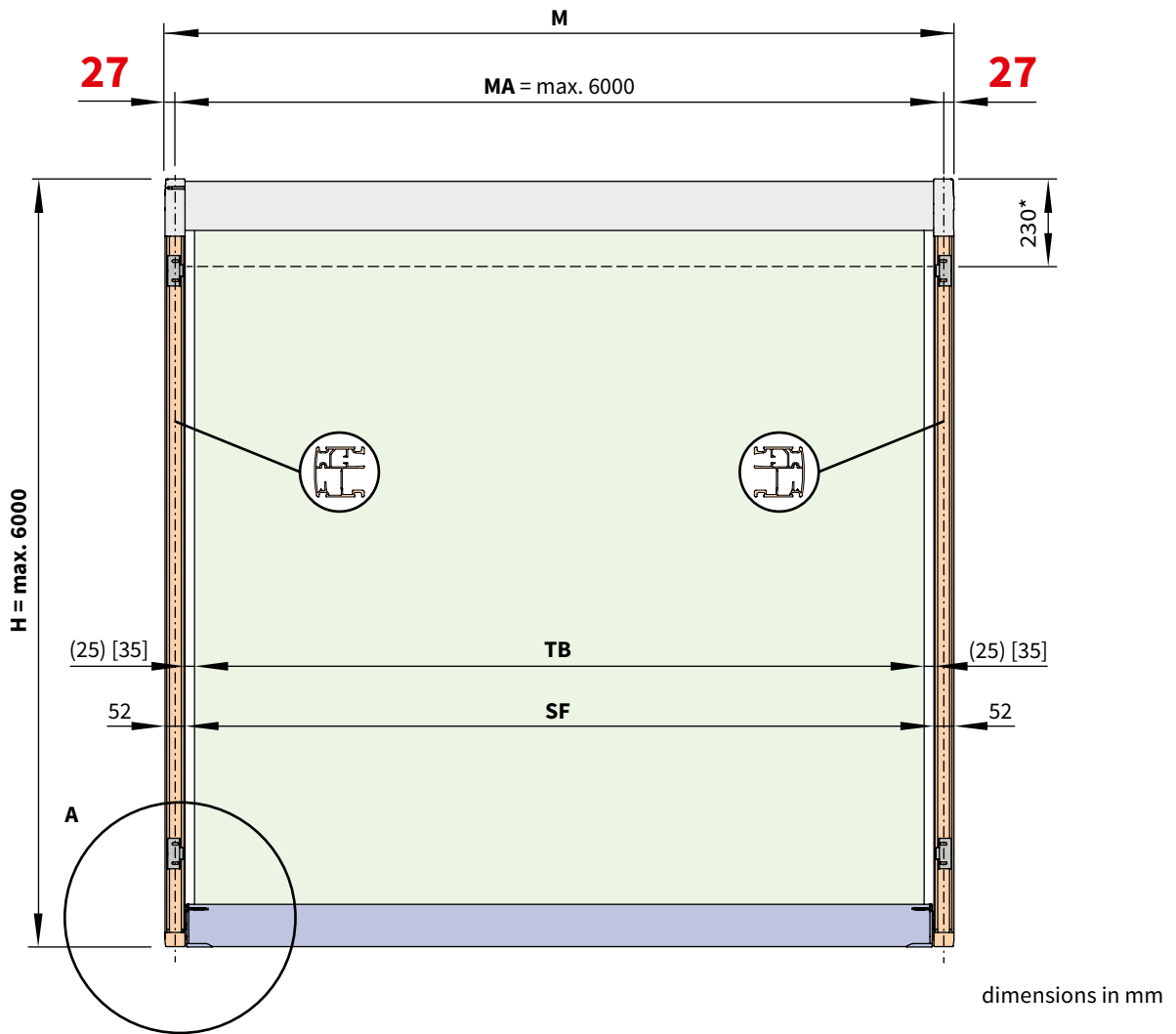


- for the required number of fixing brackets per guide track please refer to “Dimensions and feature options”
- for individual bracket combinations please refer to “Fixtures, fittings and accessories”
- the cover may sag during extension and retraction
- for the markilux 879 without tracfix system cover support wires and brackets are delivered, depending on the size; these brackets (part no. 73639.) have to be in the immediate vicinity of a fixture bracket
- the markilux 879 with tracfix system does not require any cover support wires

01
02
03
04
05
06
07
08
09
10
11
12
13
14
15

01 Installation dimensions

02 Dimension overview single unit, 1 motor



H = nominal extension = **order extension**

M = overall awning width

MA = awning fixture width = fixture width = **order width**

TB = cover width

SF = visible cover (in tracfix systems)

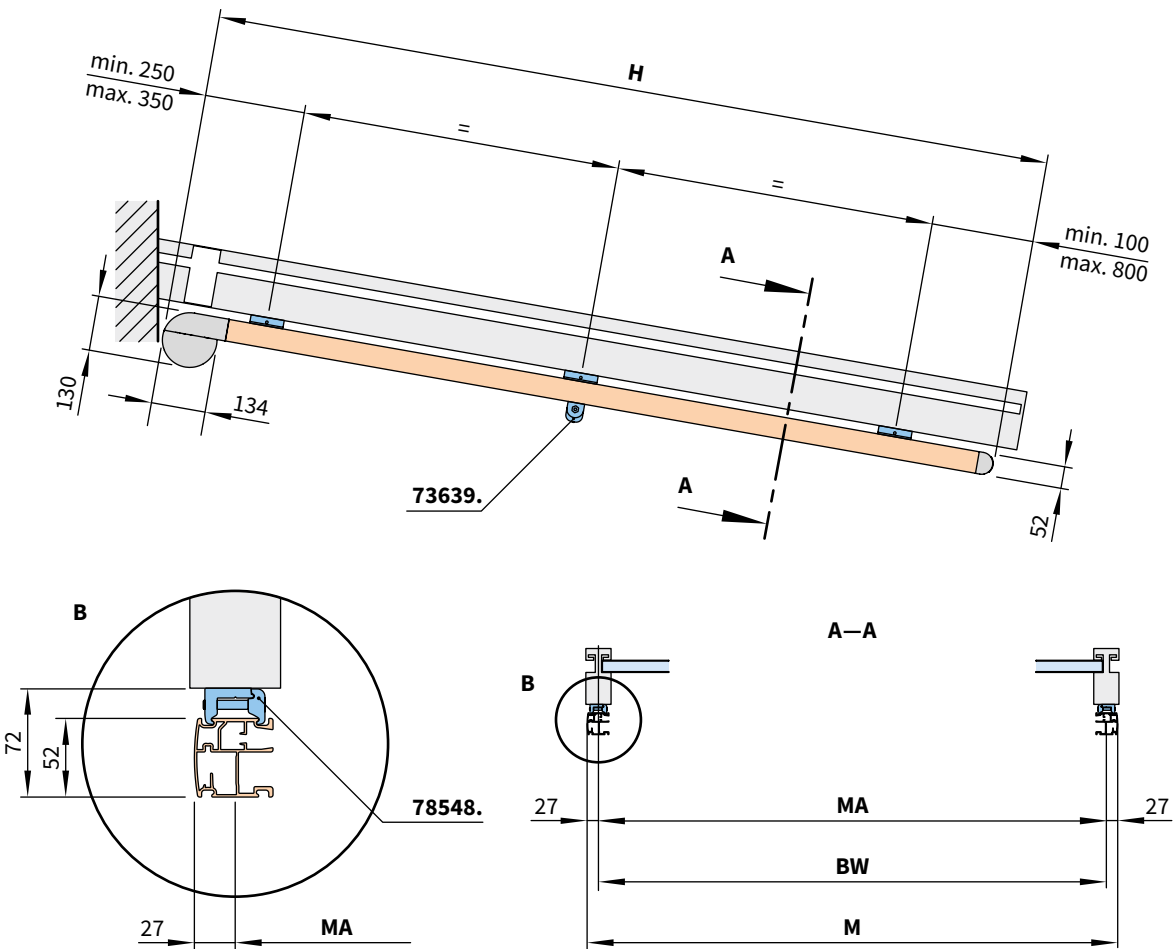
(...) = gap between cover and guide track (non-tracfix units)

[...] = the gap between cover and guide track (non-tracfix units) in gearbox-operated units

* = depth of cassette and front profile when the awning is retracted

01 **Installation dimensions**

02 **Dimension overview fixture type 10**

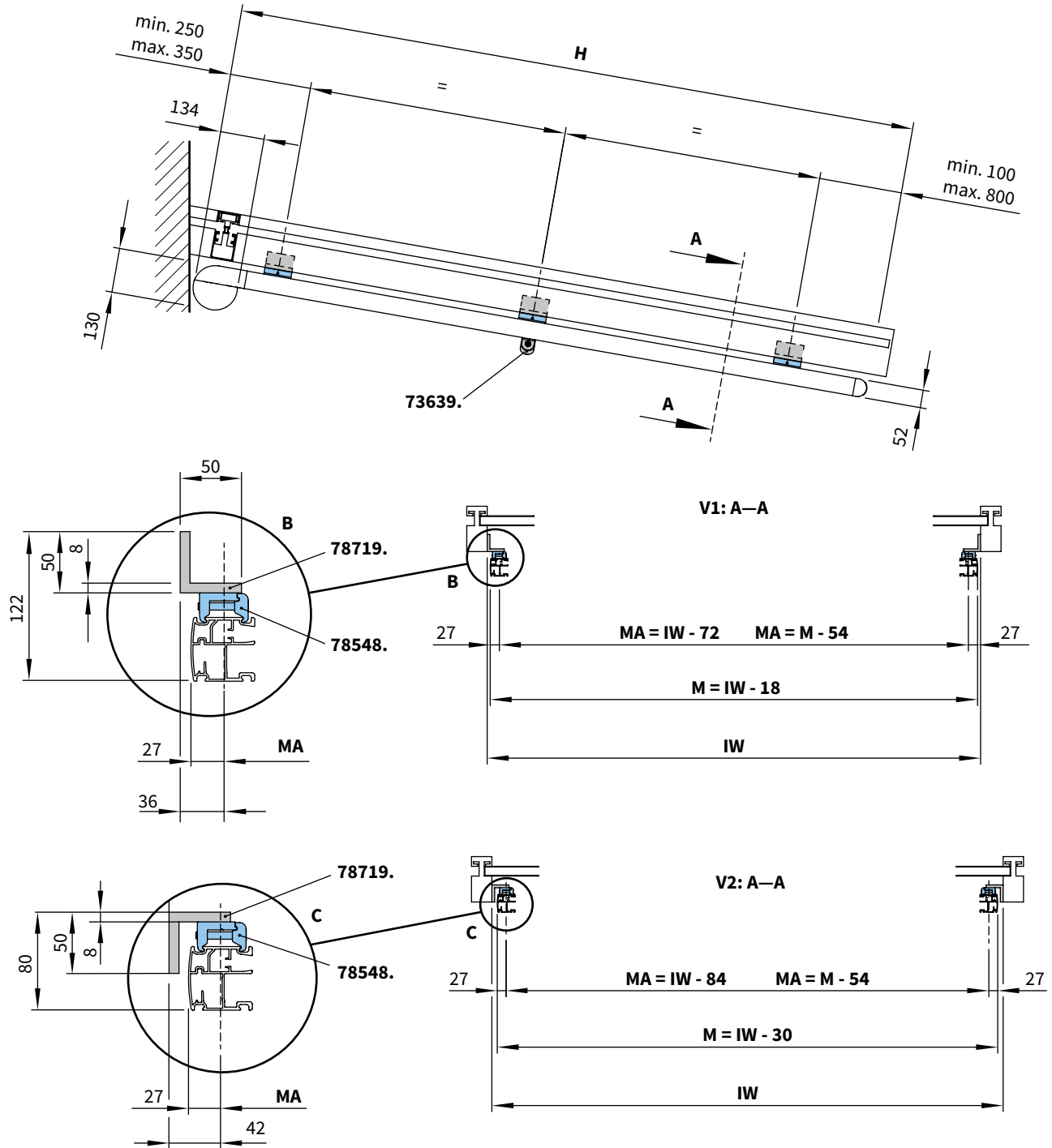


dimensions in mm

- H** = nominal extension = **order extension**
- M** = overall awning width
- MA** = awning fixture width = fixture width = **order width**
- BW** = width between fixture points on the conservatory

Installation dimensions

Dimension overview fixture type 15



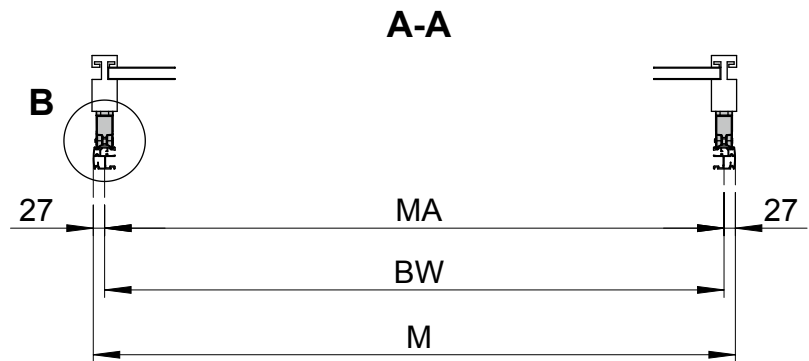
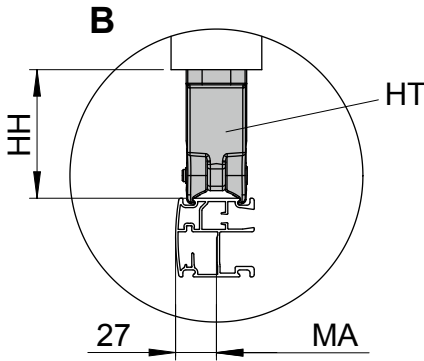
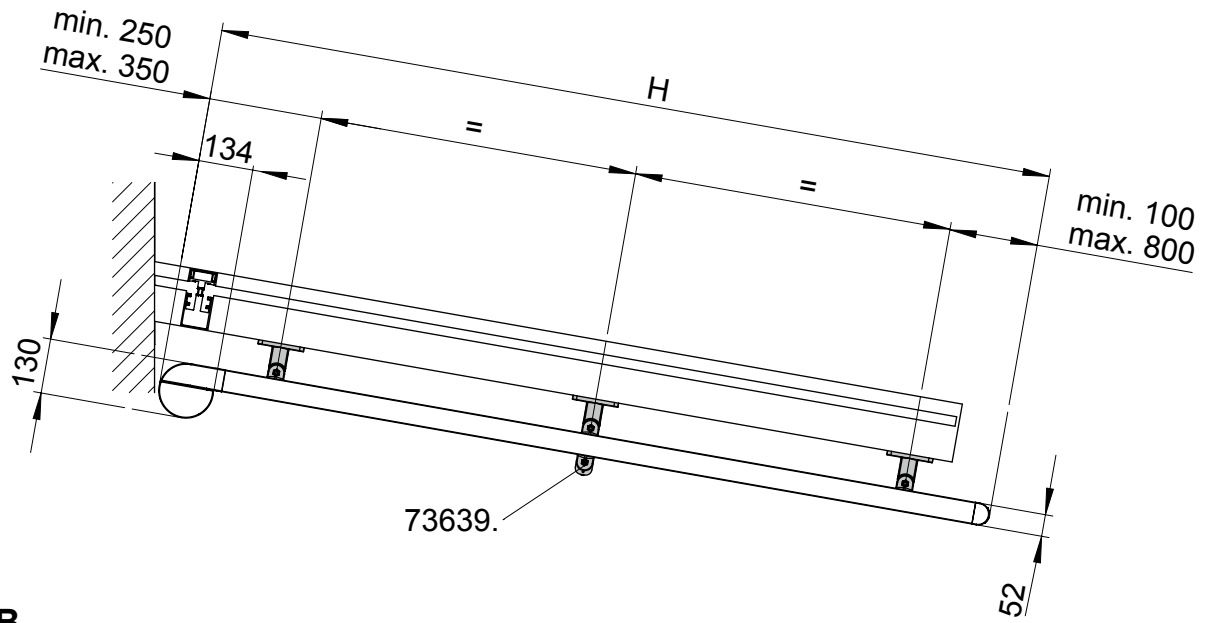
dimensions in mm

- H** = nominal extension = **order extension**
- M** = overall awning width
- MA** = awning fixture width = fixture width = **order width**
- IW** = interior conservatory dimension

01
02
03
04
05
06
07
08
09
10
11
12
13
14
15

01 **Installation dimensions**

02 **Fixture types 20, 21 and 22**



dimensions in mm

H = nominal extension = **order extension**

M = overall awning width

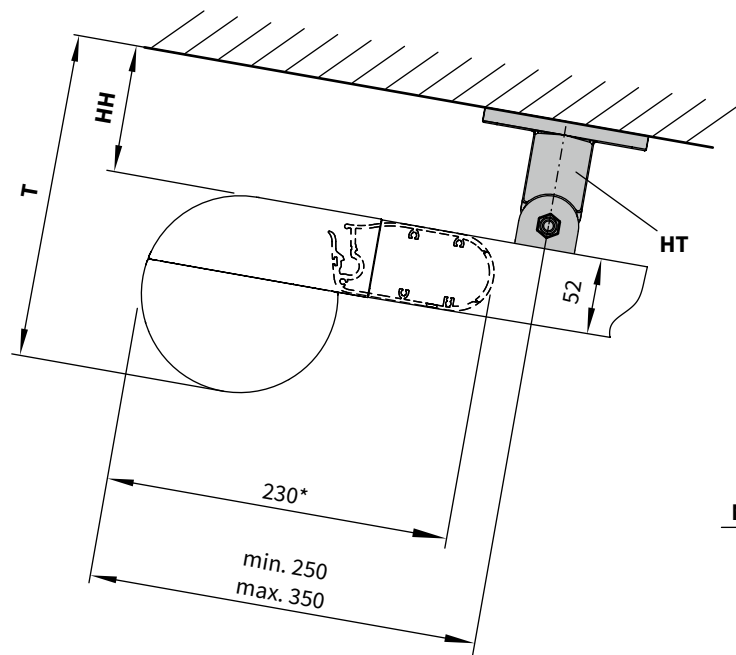
MA = awning fixture width = fixture width = **order width**

BW = width between fixture points on the conservatory

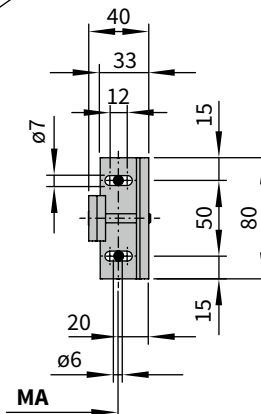
HT = bracket

HH = bracket height (for dimensions please refer to "Dimension overview of fixture types 10, 20, 21 and 22")

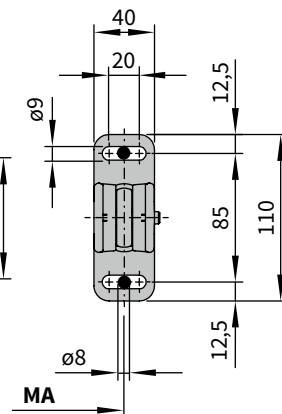
Dimension overview



Fixture type 10



Fixture types 20, 21, 22



dimensions in mm

Fixture type	10	20	21	22
HT = bracket	78548.	73624.	76046.	76048.
HH = bracket height [mm]	20	85	105	145
T = overall height [mm]	150	215	235	275
MA = awning width/fixture width				

* = dimension with the awning retracted

* = dimension with the awning retracted

HH = bracket height (for dimensions please refer to "Dimension overview of fixture types 10, 20, 21 and 22")

HT = bracket

MA = awning fixture width = fixture width = **order width**

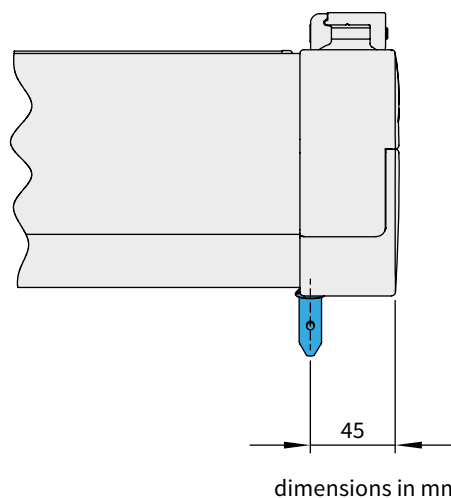
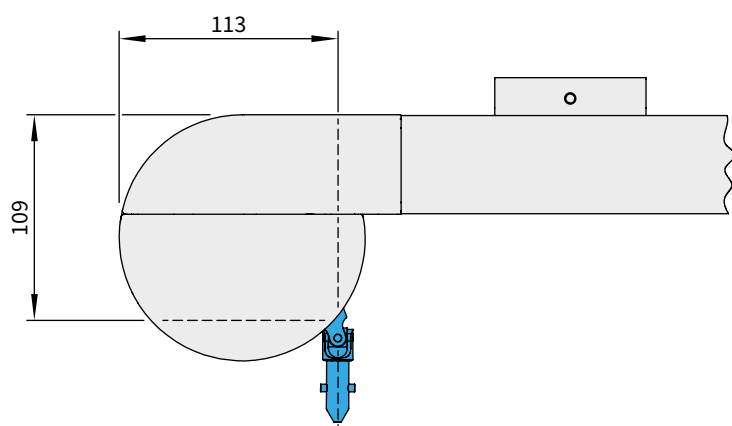
T = overall height

01

Installation dimensions

02

Dimensions in the case of manual operation



03

04

05

06

07

08

09

10

11

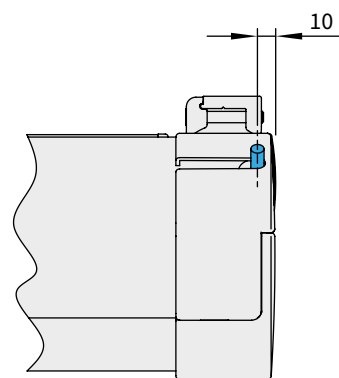
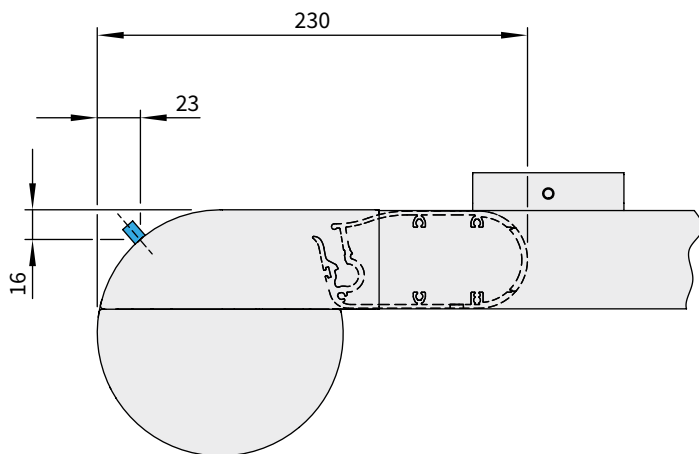
12

13

Cable exit point in the case of motor-driven units

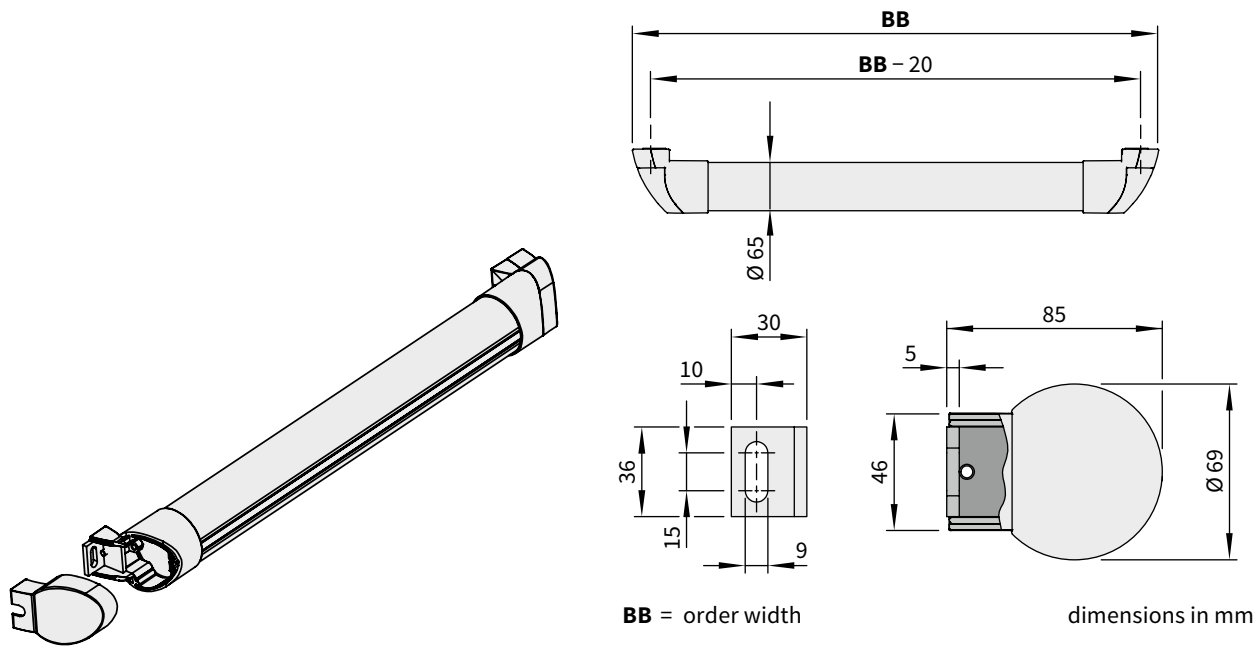
14

15



dimensions in mm

E-box – Dimensions and types



01
02
03
04
05
06
07
08
09
10
11
12
13
14
15

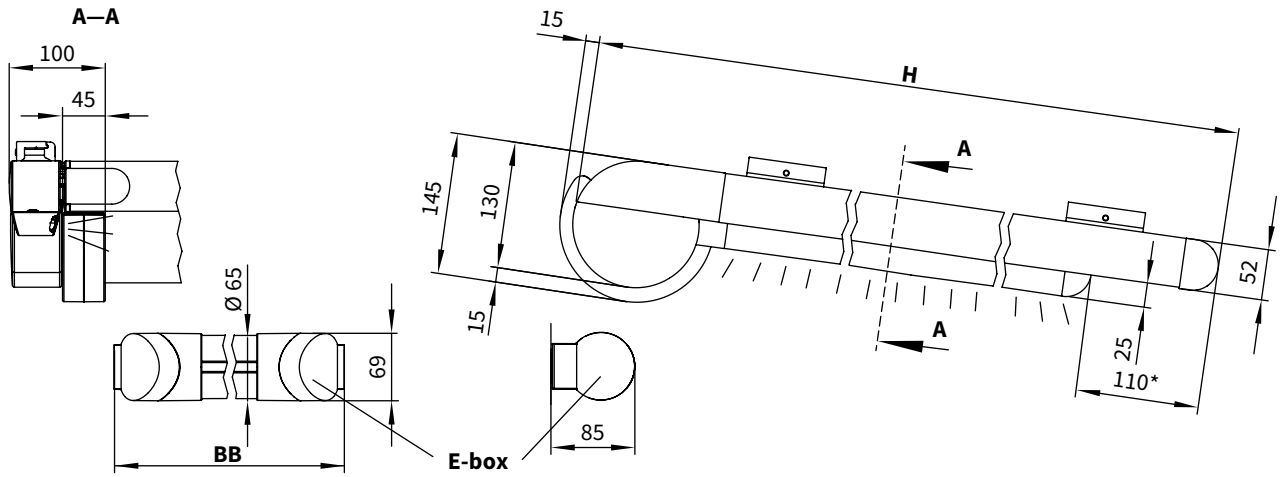
Designation	Number	BB [mm]
E-box K	73831.	690
E-box M	73833.	1240
E-box G	73835.	1890
E-box I	73837.	individual

Radio technology	RTS		io	
	≤ 329	≥ 330	≤ 329	≥ 330
Nominal extension H [cm]	↓	↓	↓	↓
Lighting option*	K	M	M	G
LED line in the guide tracks (with or without cover support wire)				

***The E-box is included in the delivery**

01 **Lighting options**

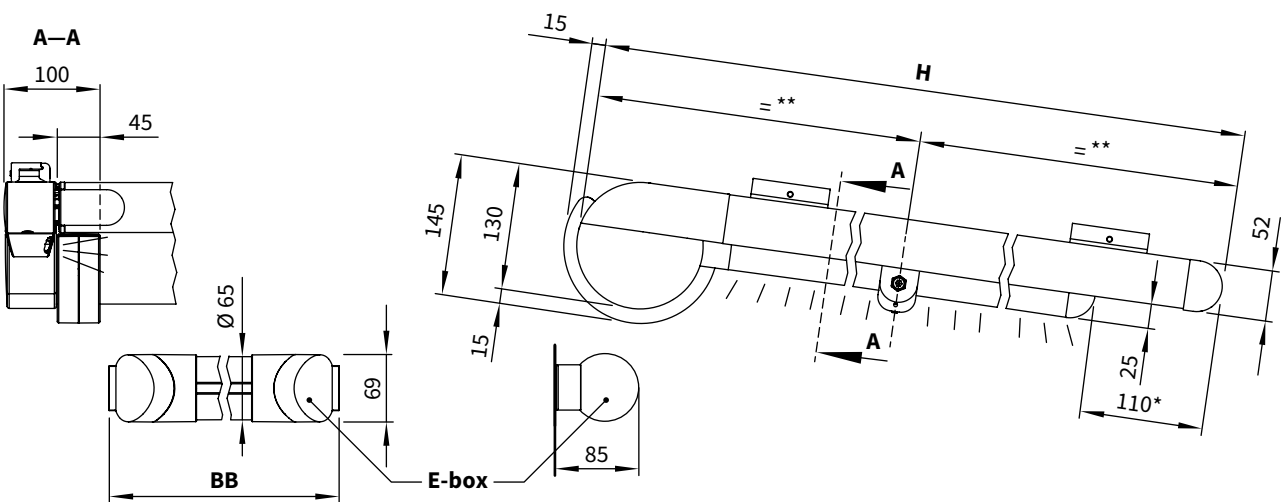
02 **Version 1: LED line in the guide tracks, electronics in an E-Box**



dimensions in mm

03
04
05
06
07
08
09
10
11
12
13
14
15

Version 1a: LED line in the guide tracks, electronics in an E-Box, cover supported by stainless steel wire

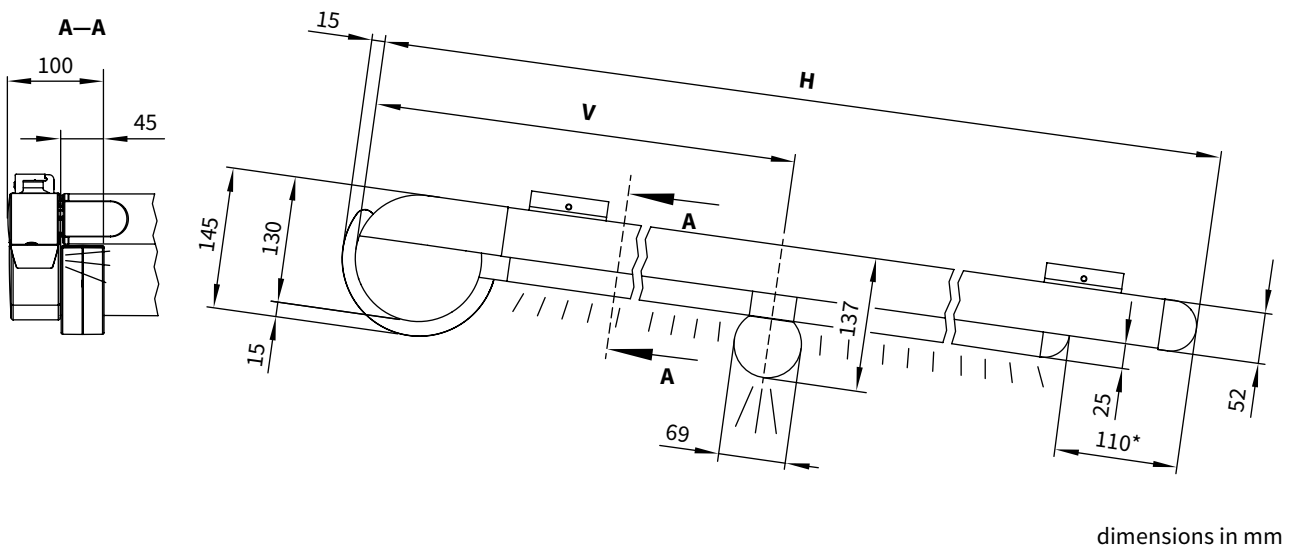


dimensions in mm

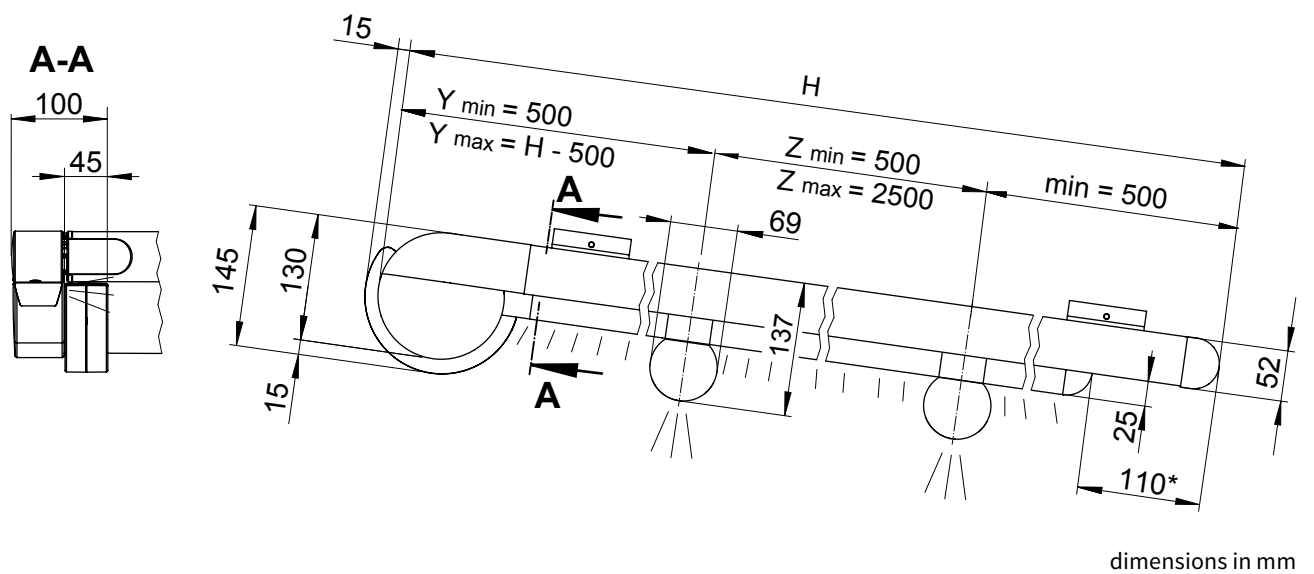
- * = 110 mm standard, 36 mm optional
- ** = cover support wire centred (standard), other positions are possible on request
- BB** = **order width**
- E-box** = please refer to the "E-box - Dimensions and types"
- H** = nominal extension = **order extension**

Lighting options

Version 2: LED line in the guide tracks and LED line in the cover support tube, electronics in the cover support tube



Version 2a: LED line in the guide tracks, LED line in two cover support tubes, electronics in the cover support tube



* = 110 mm standard, 36 mm optional

H = nominal extension = **order extension**

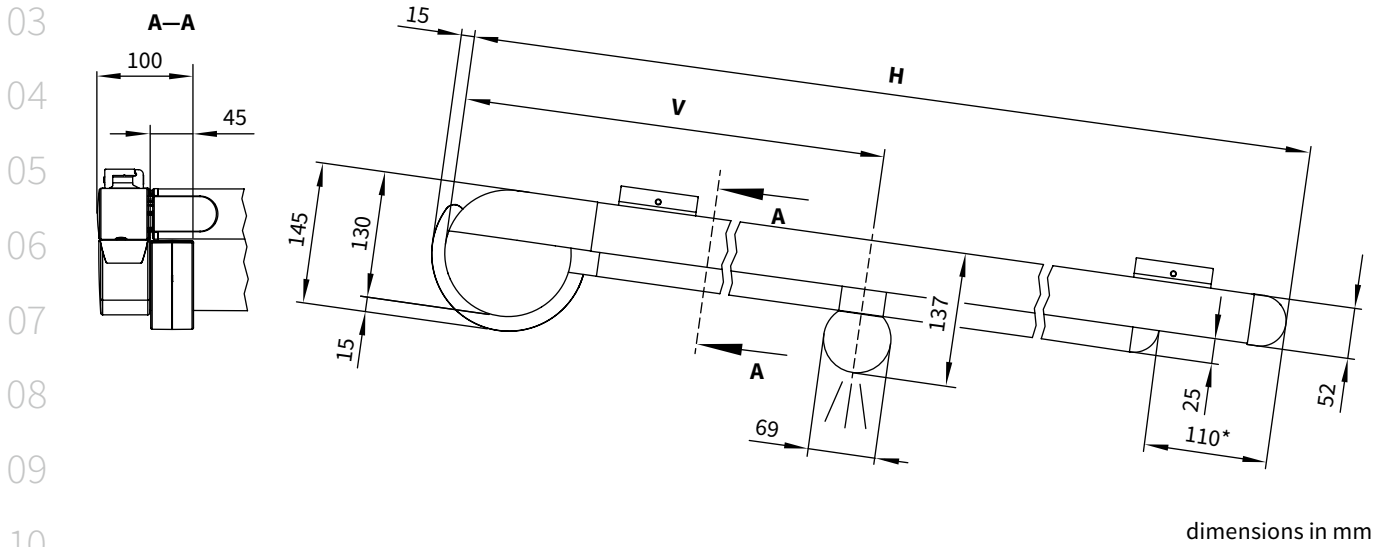
V = lighting distance from back of cassette. Standard: centred ($V = H \div 2$)
optionally this can be stipulated when ordering ($V \text{ min.} = 500 \text{ mm. } V \text{ max.} = H - 500 \text{ mm}$)

Y = distance rear cassette edge to center of 1st support tube

Z = distance center of 1st to 2nd support tube

01 **Lighting options**

02 **Version 3: LED line in the cover support tube, electronics in the cover support tube**



03

04

05

06

07

08

09

10

11

12

13

14

15

Technical data markilux LED line

operating voltage	230 V, 50 Hz
power output per metre	10 W
light source	LED (12 V)
number of LEDs	120 pcs / m
number of transformers	1 piece
light temperature	3200 K, warm white
IP protection class	IP 44
energy efficiency class	A to A++
service life	ca. 15.000 h

K O (H* LFD

This luminaire contains built-in LED lamps.

A++
A+
A
B
C
D
E

} LED

The lamps cannot be changed in the luminaire.

874/2012

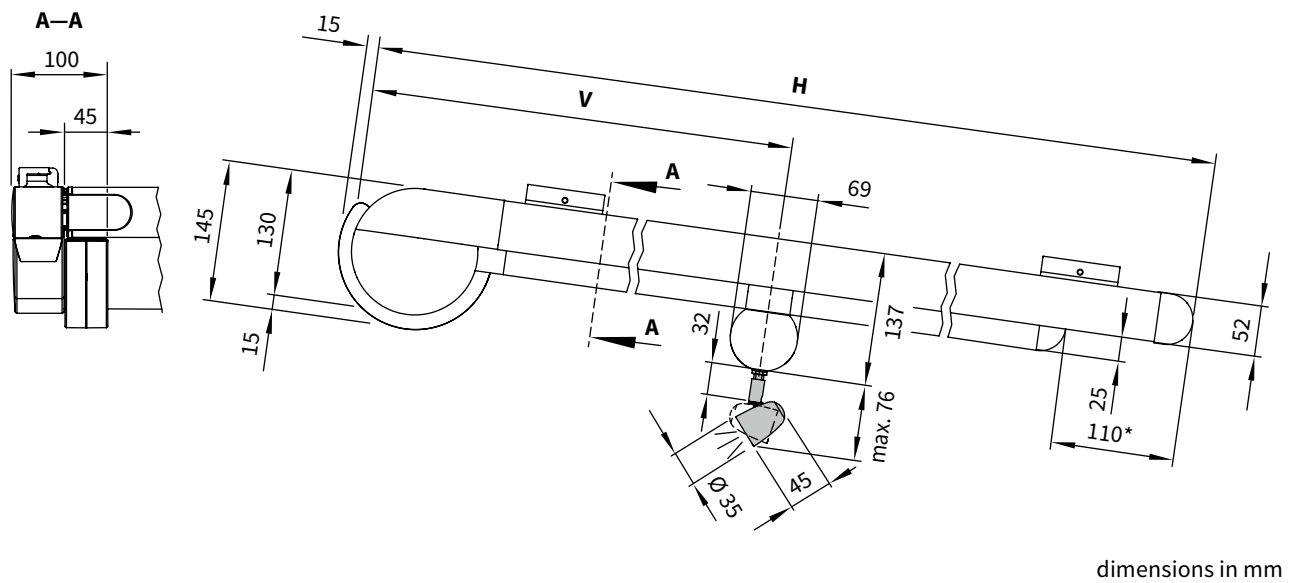
* = 110 mm standard, 36 mm optional

H = nominal extension = **order extension**

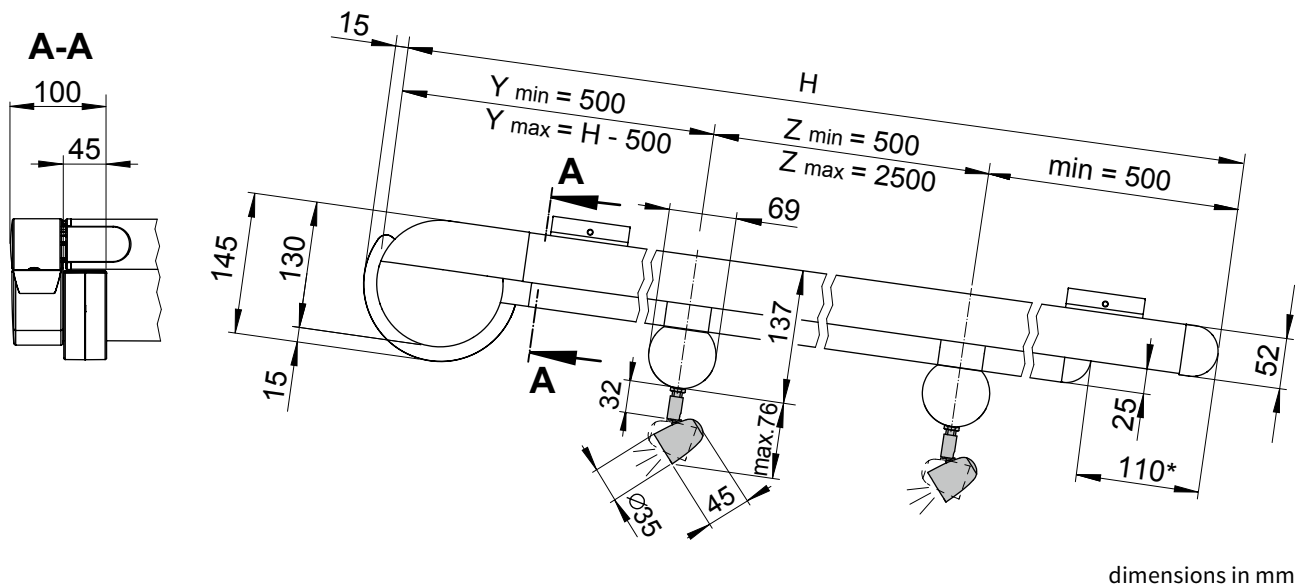
V = lighting distance from back of cassette. Standard: centred ($V = H \div 2$)
optionally this can be stipulated when ordering ($V \text{ min.} = 500 \text{ mm}$, $V \text{ max.} = H - 500 \text{ mm}$)

Lighting options

Version 4: LED spotlights in the cover support tube, electronics in the cover support tube



Version 4a: LED spotlights in two cover support tubes, electronics in the cover support tubes



* = 110 mm standard, 36 mm optional

H = nominal extension = **order extension**

V = lighting distance from back of cassette. Standard: centred ($V = H \div 2$)
optionally this can be stipulated when ordering ($V \text{ min.} = 500 \text{ mm. } V \text{ max.} = H - 500 \text{ mm}$)

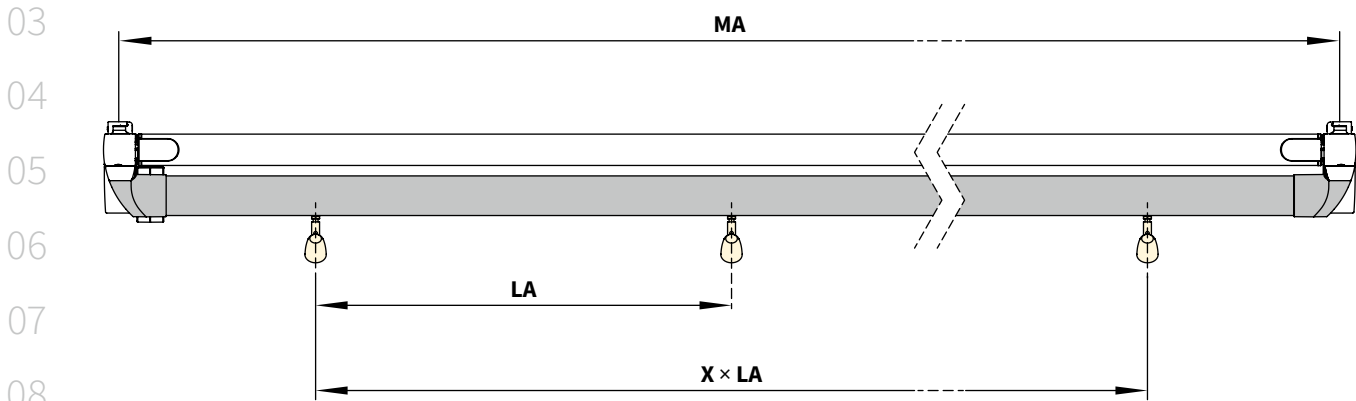
Y = distance rear cassette edge to center of 1st support tube

Z = distance center of 1st to 2nd support tube

01
02
03
04
05
06
07
08
09
10
11
12
13
14
15

01 **Lighting options**

02 **Possible number of LED spotlights**

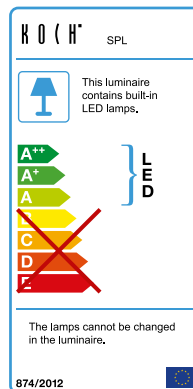


03
04
05
06
07
08
09
10
11
12
13
14
15

Technical data markilux LED spotlights

M (mm)	Number of spotlights	LA (mm)
1500–2500	3	650
2501–3000	3	980
3001–3500	3	980
3501–4000	4	980
4001–4500	4	980
4501–5000	5	980
5001–5500	5	980
5501–6000	6	980

operating voltage	230 V, 50 Hz
power output per spotlight	5 W
light source	LED (12 V)
number of transformers	1 piece
Light temperature	2700 K, warm white
IP protection class	IP 44
energy efficiency class	A to A++
service life	approx. 20,000 h

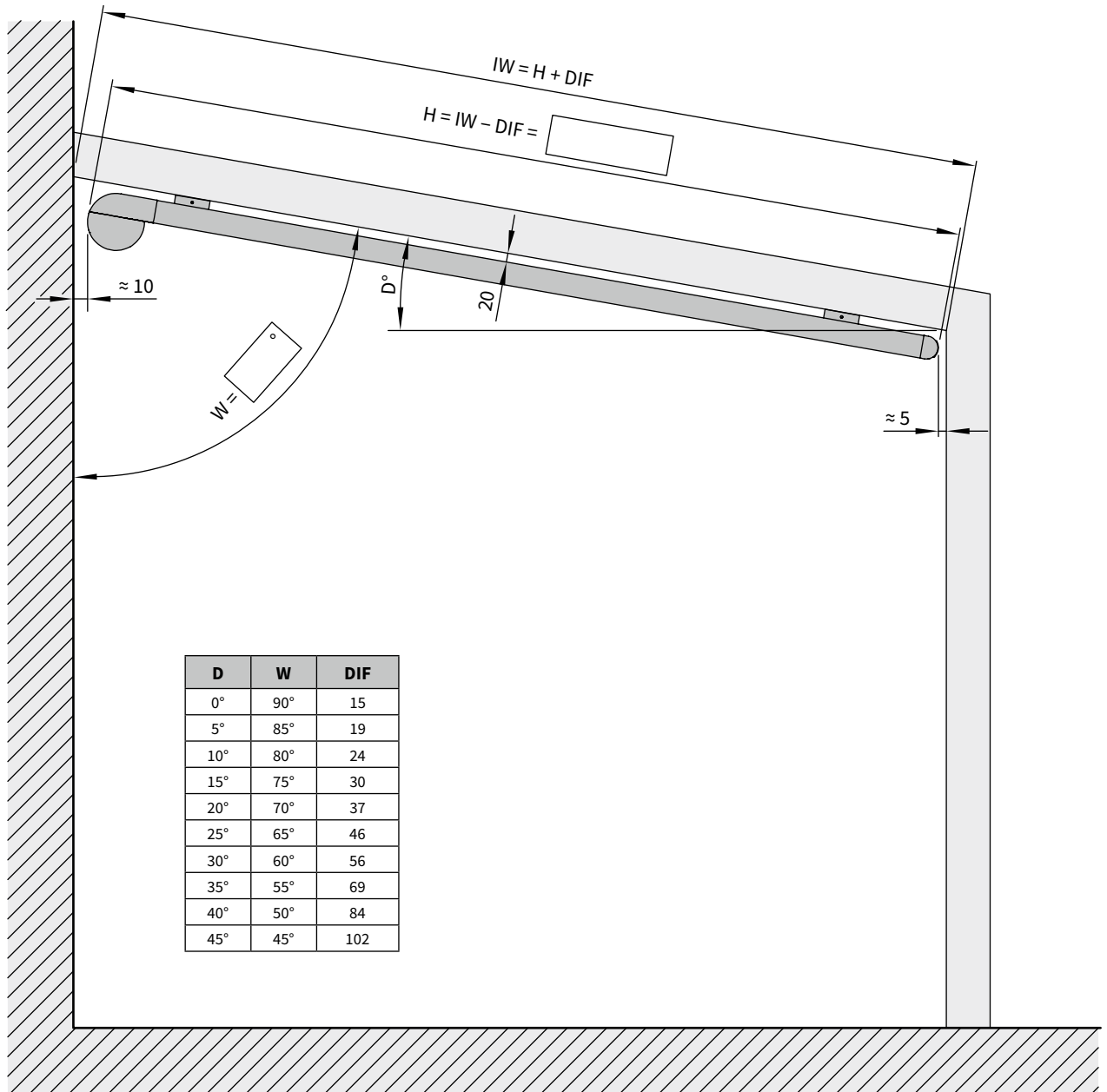


MA = awning fixture width = fixture width = **order width**

LA = spotlight separation

Installation dimensions

Orders are to be submitted with all the dimensions shown in the diagram



dimensions in mm

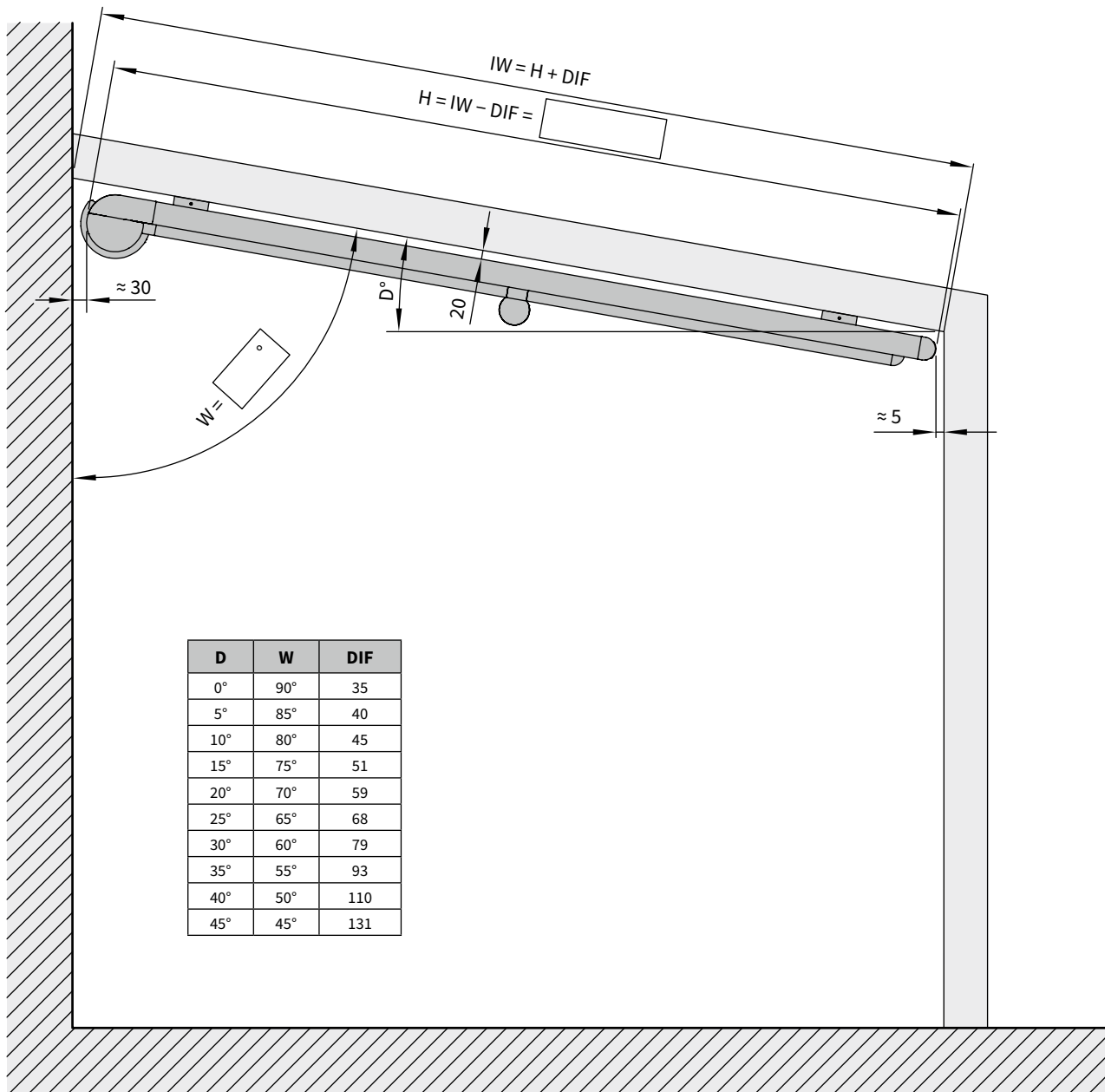
- H** = extension = **order extension** = IW - DIF (see table)
- IW** = interior conservatory dimension
- W** = awning pitch (in °)
- D** = roof pitch (in °)
- DIF** = difference interior conservatory measurement to extension H

01
02
 03
 04
 05
 06
 07
 08
 09
 10
 11
 12
 13
 14
 15

01 Installation dimensions in units with lighting

02 Orders are to be submitted with all the dimensions shown in the diagram

03
04
05
06
07
08
09
10
11
12
13
14
15



dimensions in mm

- H** = extension = **order extension** = IW - DIF (see table)
- IW** = interior conservatory dimension
- W** = awning pitch (in °)
- D** = roof pitch (in °)
- DIF** = difference interior conservatory measurement to **extension H**